

HEATSEAL

SHRINK PACKAGING SYSTEMS

MODEL HDS-2020

HEAVY DUTY L SEALER



**HEAVY DUTY CONSTRUCTION
THROUGHOUT**

**STANDARD IMPULSE WIRE OR
HOT KNIFE SYSTEM AVAILABLE**

Features Available on the HDS-2020

- Standard 115 Volt Power Supply With GFI Protection
- Standard Microprocessor Acc-U-Seal Wire Temperature Control
- Top Mounted, Easy Access U.L. Listed Control Panel (File No. E146586)
- Large 20" Wide By 20" Long Seal Area
- Cast Aluminum Seal Head Design With Film Clamps
- Easily Adjustable Seal Arm Height
- Adjustable Seal Pads
- Film Separator Rod
- Film Perforator With Individually Adjustable Collars
- Adjustable Film Cradle
- Stainless Steel Product Loading Tray
- Posi-Trac Power Take Away Conveyor With Adjustable Speed Control
- Dual Magnets With Adjustable Pressure And Dwell Time
- Heavy Duty Circuit Breaker On / Off Switch
- Console Unit Includes Storage Cabinet With Heavy Duty Adjustable Levelers And Casters
- Stainless Steel Model Available
- Shipped Set Up And Ready To Use

TWO YEAR WARRANTY

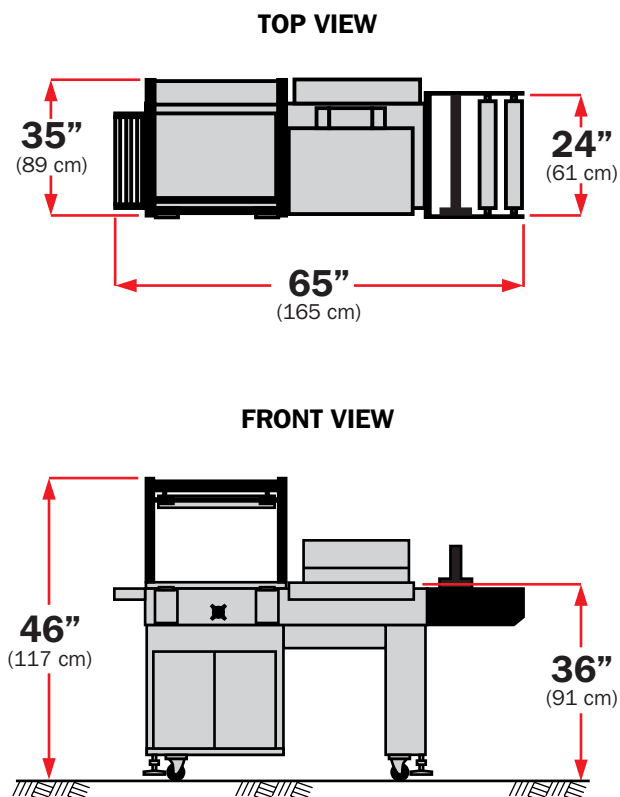
HEAVY DUTY SERIES

Machine Specifications

Film Capacity	24" Wide (61 cm)
L Bar Seal Area	20" W, 20" L (51 W x 51 L cm)
Overall Dimensions	46" H, 35" W, 65" L (117 H, 89 W, 165 L cm)
Working Height	36" (91 cm)
Power Requirement	115 Volts, 15 Amp Single Circuit w/Ground
Weight (Net)	350 lbs. (159 kg)

TWO YEAR WARRANTY

Machine Footprint



Machine Options

- Heated Hole Punch
- Adjustable Heated Hole Punch With Articulated Arm
- Roller Drip Pan Or Corrugated Loading Tray
- Heat Seal Hot Knife With Digital Temperature Controls
- Reynolds Duo Seal Hot Knife With Digital Temperature Controls
- Beaded Seal Impulse Wire Seal System
- Powered Lift / Posi-Trac Power Take Away Conveyor
- Variable Speed Soft-Start Power Take Away Control
- Powered Film Unwind With Perforating Roller And Adjustable Height Inverting Head
- Air Activated Seal Head With Emergency Stop
- Dual Film Rack
- Left Hand Reverse Flow
- Export Wire: 220 Volts
- Special Paint Color
- Stainless Steel Construction
- Spare Parts Kit

For Additional Product Information, Contact:



HEAT SEALING EQUIPMENT LLC
4580 EAST 71ST STREET CLEVELAND, OHIO 44125

PHONE (216)341 2022 TOLL FREE (800)342 6329 FAX (216)341 2163
WORLD WIDE WEB www.heatsealco.com E-MAIL custserv@heatsealco.com



MODEL HDS-2020 HEAVY DUTY SERIES