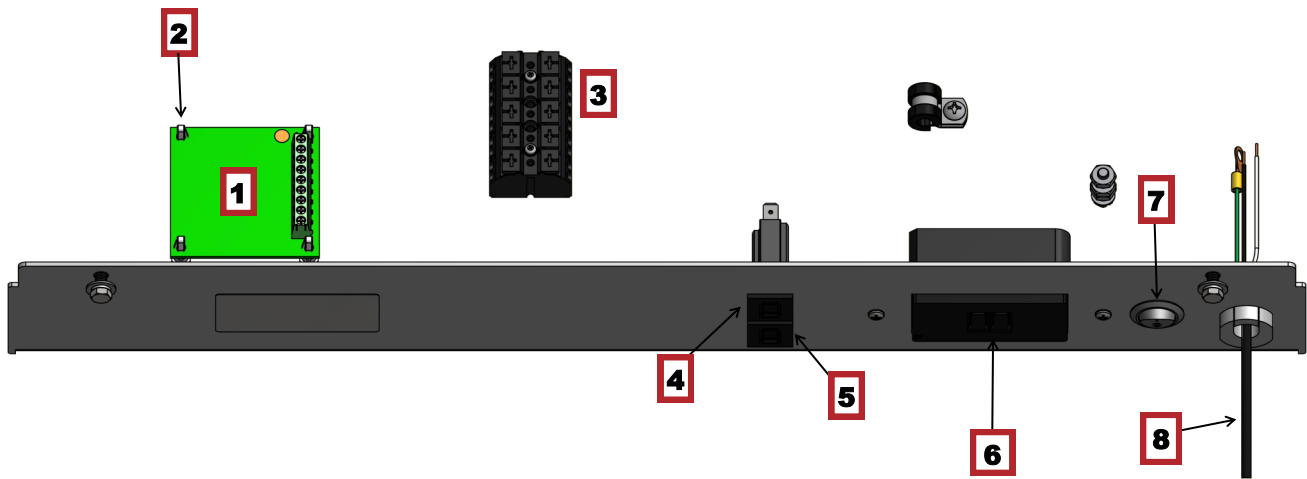


## COMMON PARTS FOR MAJOR SUB-ASSEMBLIES

ITEM	QTY	PART NUMBER	DESCRIPTION
1	1	5901-011	Non-stick Cover, 6 x 15
2	1	6137-245	Replacement 6 x 15 Seal Plate Kit, Series D
3	1	6137-094	<i>Hot Rod Replacement Kit</i> Includes: (1) Square Cutoff Rod, (1) Rubber Grommet, (1) Screw, #8-32 x 3/8" Long, (1) Retainer, Cutoff Rod 1/2" sq.
4	1	6340-064	<i>Vinyl Replacement Kit</i> Includes: (1) Film Retainer, (2) Black Plastic Shaft Retainer
5	1	6340-066	<i>Bridge Replacement Kit</i> Includes: (1) Stainless Steel Wrapping Bridge, (1) Stainless Steel Rod, (2) Black Plastic Retainer
6	1	6341-009	Stainless Steel Rod
7	1	6340-063	<i>Replacement Cap Kit</i> Includes: (2) Black Plastic Shaft Retainer
8			Electrical Box Assembly (See Page 10)
9	1	6341-029	Tensioning Roller Kit
10	1	2145-052	Tensioning Knob
11	1	6341-031	Idle Roller Kit
12	1	6341-032	Film Centering Device Kit
13	1	1872-133	Photoeye



## COMMON PARTS FOR ELECTRICAL BOX

ITEM	QTY	PART NUMBER	DESCRIPTION
1	1	1818-037	Programmed Circuit Board for 6" x 15" Mica
2	1	6340-070	Circuit Board Mounting Kit Includes: (4) Plastic Clip Stand-Offs
3	1	1875-055	Terminal Block
4	1	1815-030	1A Circuit Breaker
5	1	1815-031	20A Circuit Breaker
6	1	1872-123	GFCI Blank Outlet, 20A/125V
7	1	1872-131	20A Rocker Switch
8	1	6340-097	Power Cord Replacement Kit Includes: (1) Strain Relief, (1) 7' Power Cord