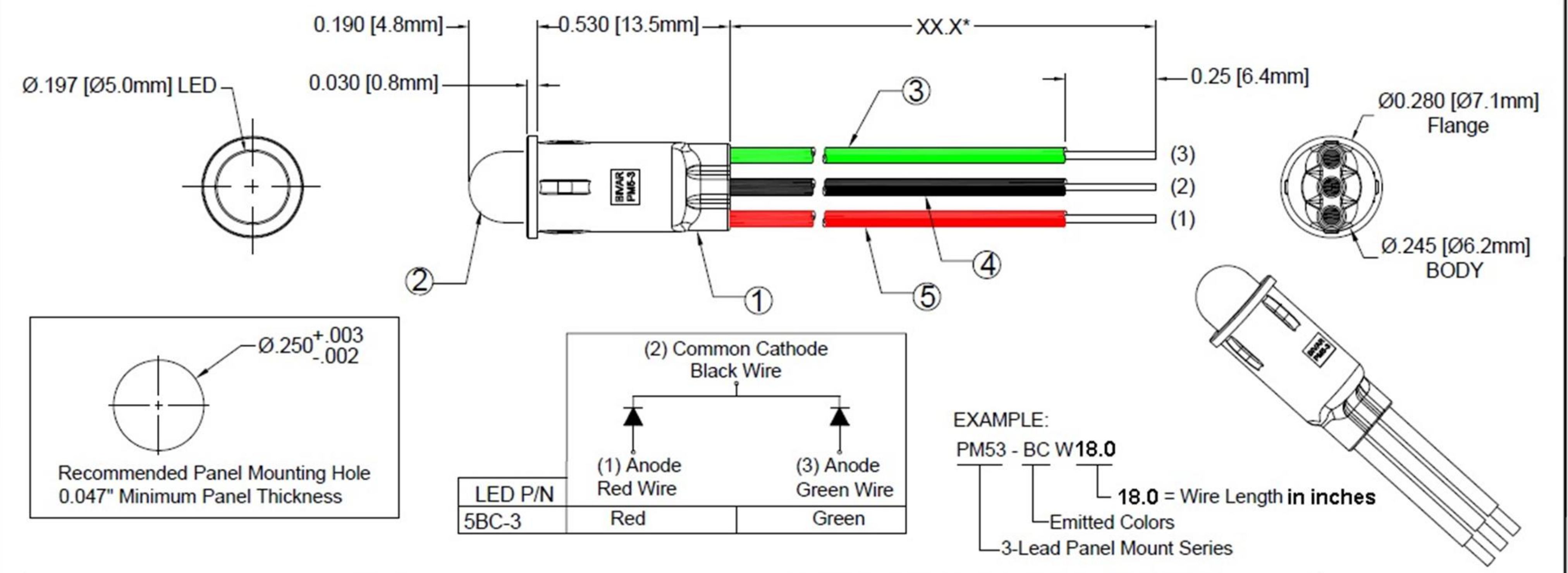


ITEM	QTY	PART NUMBER	PART DESCRIPTION
1	1	PM5-3	LED Holder, 3-Lead Panel Mount, Press Fit, 5mm
2	1	5BC-3-XX	T1 ¼ (5mm) 3-Lead Shouldered LED, See Page 2
3	1	BWS24-1061-GN	24AWG Wire Lead U.L. 1061, Green
4	1	BWS24-1061-BK	24AWG Wire Lead U.L. 1061, Black
5	1	BWS24-1061-RD	24AWG Wire Lead U.L. 1061, Red

REV.	DESCRIPTION	DATE	APPROVED
A	Engineering Release	12/02/08	T. Y.
B	Updated 5BC-3 LED on Polarity Diagram	09/01/09	T. Y.
C	Added Optical/Electrical Data	05/21/15	J. C.
D	Engineering Update w/o Changes	08/14/16	J. C.



Assy P/N	Chip			Lens Appearance	Electro-Optical Data @ 20mA				Viewing Angle 2θ ½ (Deg)	LED P/N
	Material	Peak Wave Length λp (nm)	Emitted Color		If (mA)	Vf (V)		Iv (mcd)		
					MAX	TYP	MAX	TYP		
PM53-BCWXX.X	GaAsP/GaP	625	RED	WHITE DIFFUSED	30	2.0	2.8	35	40	5BC-3
	GaP/GaP	568	GREEN		30	2.1	2.8	35		

ABSOLUTE MAXIMUM RATINGS (Ta = 25°C)

REVERSE VOLTAGE _____ 5V
 REVERSE CURRENT (VR=5V) _____ 100µA
 OPERATING TEMPERATURE RANGE _____ -25°C ~ 85°C
 STORAGE TEMPERATURE _____ -30°C ~ 100°C
 LEAD SOLDERING TEMPERATURE (1/16" FROM BODY) _____ 260°C for 5 Seconds

STANDARD TOLERANCE (UNLESS OTHERWISE SPECIFIED)	
DECIMALS	ANGULAR
.X ± .1	X° ± 1°
.XX ± .02	
.XXX ± .010	

BIVAR®
 4 THOMAS, IRVINE, CA. 92618
 TEL: (949) 951-8808 FAX: (949) 951-3974

TITLE: T1 ¼ (5mm) PANEL MOUNT ASSEMBLY, 3-LEAD BI-COLOR
 PART NO: PM53-BCW18.0 REVISION: D
 CAGE CODE: 32559 SHEET # 1 OF 1
 CAD GENERATED DOCUMENT. DO NOT MEASURE DRAWING.

PURCHASE PART
 MFR PART NUMBER: PM53-BCW18.0
 LED COLORS: GREEN & RED
 LEAD LENGTH: 18 INCHES BARE WIRE WITH 0.25 STRIP
 NOTE: TO BE USED WITH 3-640441-3 CONNECTOR HEATSEAL PART NUMBER 1845-120.

HEAT SEAL/AMPAK
 CLEVELAND, OHIO 44125

UNLESS OTHERWISE SPECIFIED: 3/6/2023
 ALL DIMENSIONS IN INCHES: NS
 STANDARD TOLERANCES: 0.00: ± .010, 0.000: ± .005, ANGLE: ± 1'

DESCRIPTION: LIGHT, INDICATOR, LED, RED/YELLOW
 DRAWING NUMBER: 1836-020 REVISION: 0
 SIZE: D SCALE: NONE SHEET: 1 OF: 1

CONFIDENTIAL
 THIS PRINT IS PROPERTY OF, AND DISCLOSES PROPRIETARY INFORMATION OF HEAT SEAL. IT IS LOANED FOR REFERENCE ONLY, AND MAY NOT BE REPRODUCED OR FORWARDED ELECTRONICALLY IN ANY MANNER, OR ITS CONTENTS DISCLOSED TO OTHERS, WITHOUT THE EXPLICIT WRITTEN PERMISSION OF OWNER AND MUST BE DESTROYED UPON REQUEST.