

4

3

2

1

D

D

C

C

B

B

B

B

A

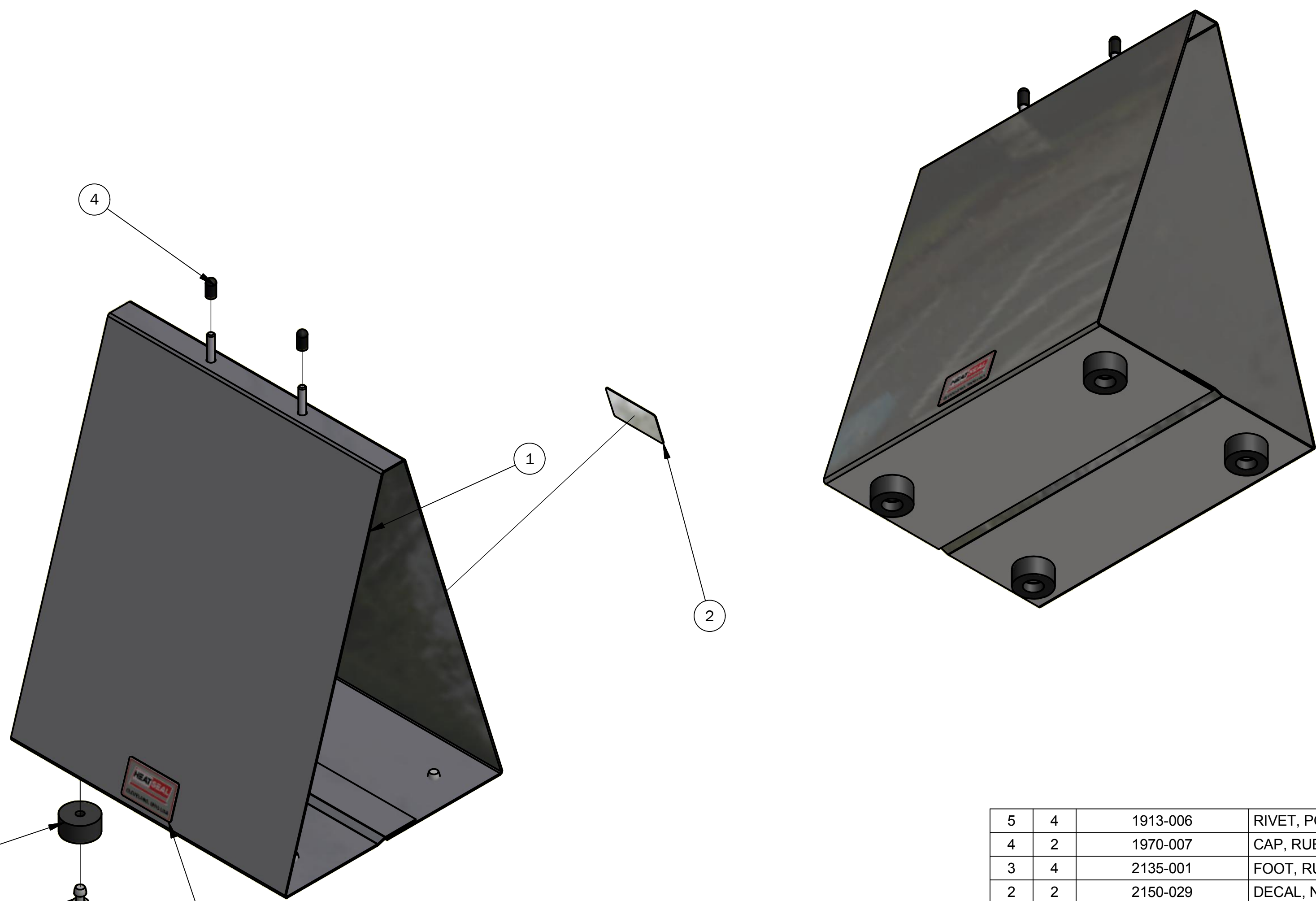
A

4

3

2

1



5	4	1913-006	RIVET, POP, ALUM/ALUM, #66
4	2	1970-007	CAP, RUBBER, LUSTER, 3/16 ID
3	4	2135-001	FOOT, RUBBER, 1" OD
2	2	2150-029	DECAL, NAMEPLATE, HEAT SEAL LOGO
1	1	5103-012	BASE WELDMENT, DELI BAG DISPENSER
ITE	QTY	PART NUMBER	DESCRIPTION

Material Specification

HEAT SEAL/AMPAK
CLEVELAND, OHIO 44125

<p>CONFIDENTIAL THIS PRINT IS PROPERTY OF, AND DISCLOSES PROPRIETARY INFORMATION OF HEAT SEAL. IT IS LOANED FOR REFERENCE ONLY, AND MAY NOT BE REPRODUCED OR FORWARDED ELECTRONICALLY IN ANY MANNER, OR ITS CONTENTS DISCLOSED TO OTHERS, WITHOUT THE EXPLICIT WRITTEN PERMISSION OF OWNER AND MUST BE DESTROYED UPON REQUEST.</p>	<p>UNLESS OTHERWISE SPECIFIED:</p>	<p>CREATED: 10/3/2007</p>	<p>DESCRIPTION: DELI BAG DISPENSER, PINS</p>	
	<p>ALL DIMENSIONS IN INCHES</p>	<p>CREATED BY: BRUCE</p>	<p>DRAWING NUMBER: 5103-001</p>	
	<p>STANDARD TOLERANCES:</p> <p>0.00: ± .030 0.000: ± .005 ANGLE: ± 1'</p>	<p>CHECKED:</p>	<p>REVISION: 0</p>	
		<p>CHECKED BY:</p>	<p>SIZE: C</p>	<p>SCALE: NONE</p>