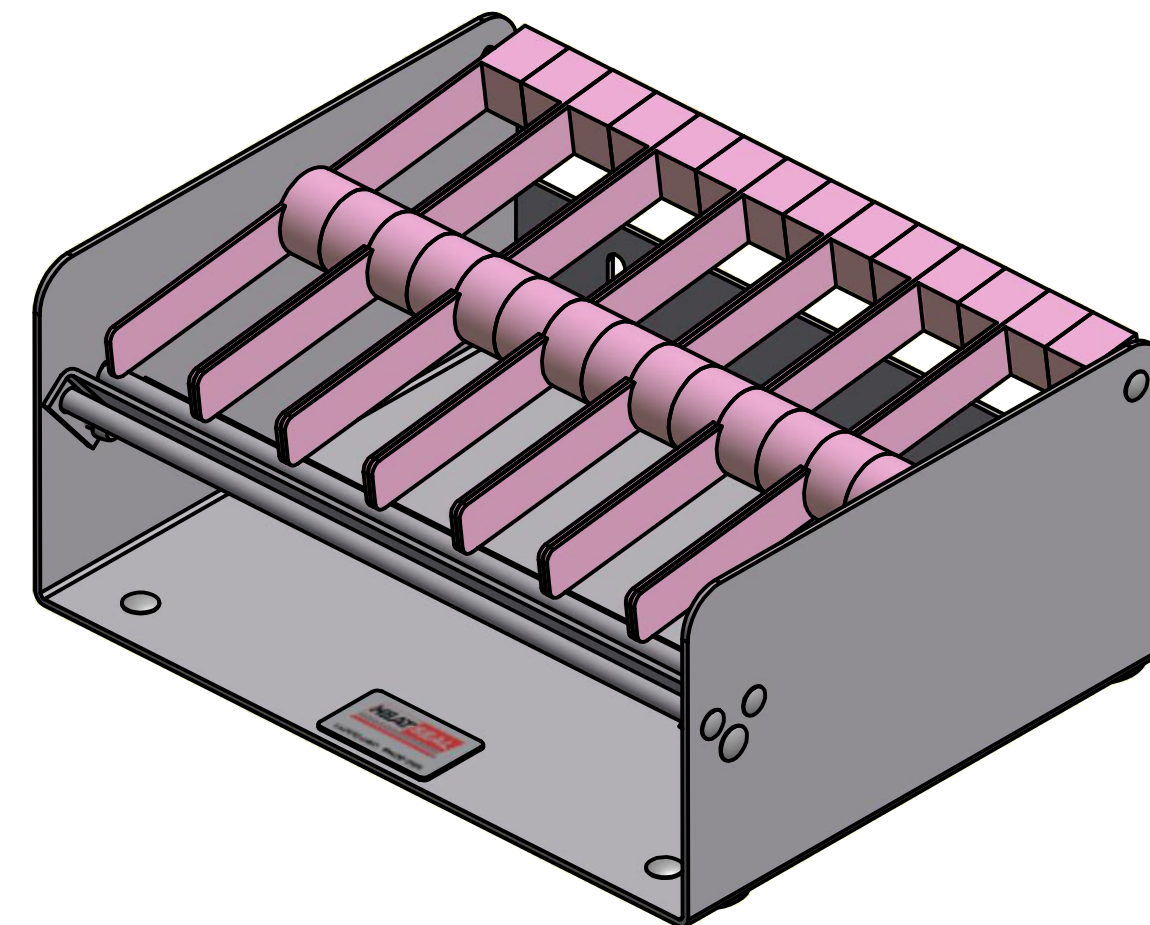
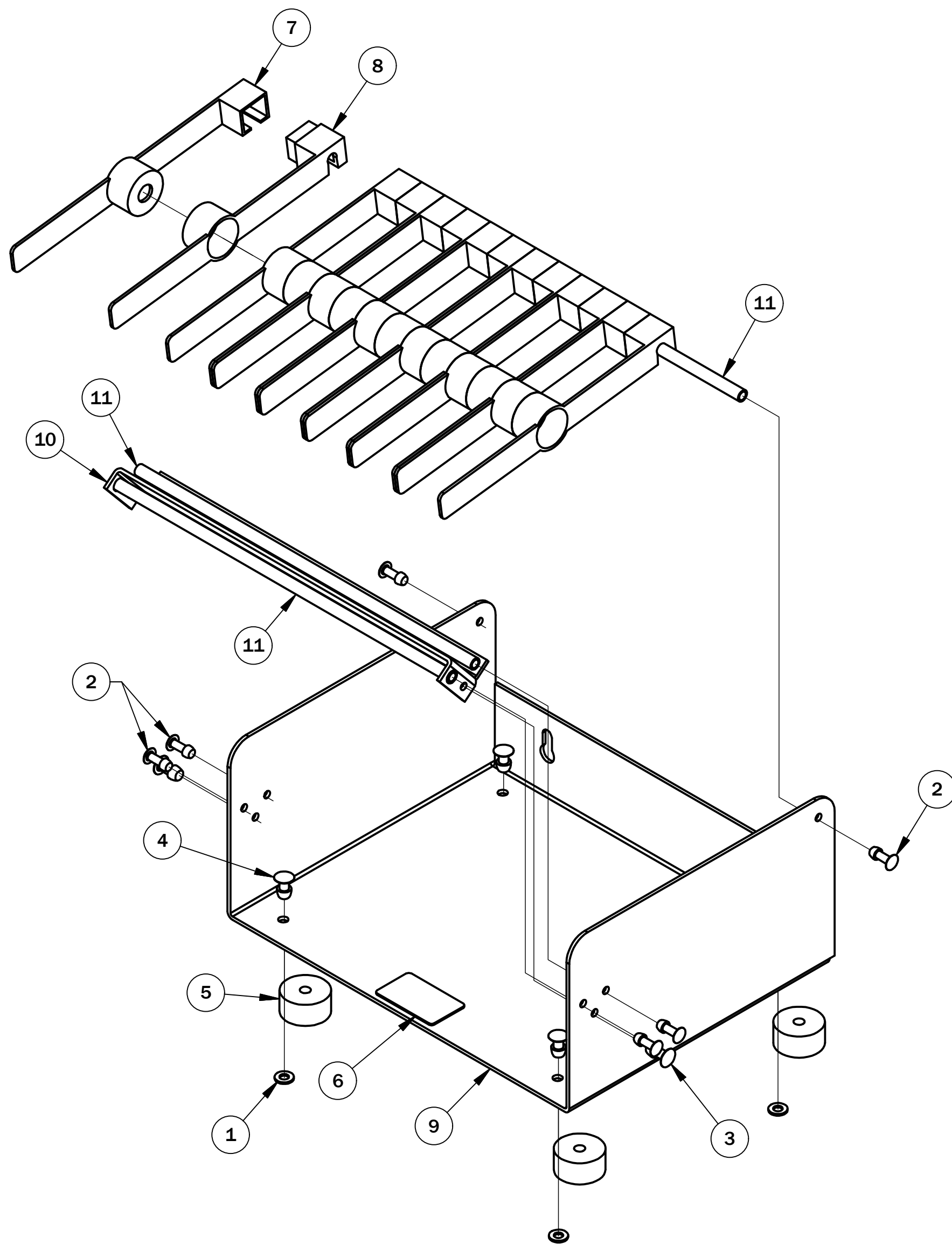


REVISION HISTORY				
REV	ECN #	DATE	BY	DESCRIPTION
0	2617	9/14/2010	TMM	INITIAL RELEASE



ITEM	QTY	PART NO.	DESCRIPTION
11	3	5104-042	TUBE, GUIDE, LABEL
10	1	5104-041	BRACKET, GUIDE, LABEL, PS7
9	1	5104-040	BASE, DISPENSER, PS7
8	7	3010-014	GUIDE, TAPE, RH
7	7	3010-013	GUIDE, TAPE, LH
6	1	2150-051	LABEL, HEAT SEAL LOGO 1-9/16 X 15/16
5	4	2135-001	FOOT, RUBBER, 1" OD
4	4	1913-006	RIVET, POP, ALUM/ALUM, #66
3	2	1913-005	RIVET, POP, ALUM/ALUM, #64
2	6	1913-004	RIVET, POP, ALUM/ALUM, #56
1	4	1909-011	WASHER, FLAT, SS, 18-8, .187ID X .375 OD.

PARTS LIST

**CONFIDENTIAL**  
 THIS PRINT IS PROPERTY OF, AND DISCLOSES PROPRIETARY INFORMATION OF HEAT SEAL. IT IS LOANED FOR REFERENCE ONLY, AND MAY NOT BE REPRODUCED OR FORWARDED ELECTRONICALLY IN ANY MANNER, OR ITS CONTENTS DISCLOSED TO OTHERS, WITHOUT THE EXPLICIT WRITTEN PERMISSION OF OWNER AND MUST BE DESTROYED UPON REQUEST.

ALL DIMENSIONS IN INCHES EXCEPT WHERE NOTED  STANDARD TOLERANCES EXCEPT WHERE NOTED (ALL PLUS/MINUS)  2 PLC. DECIMAL: .010 3 PLC. DECIMAL: .005 FRACTION: 1/32 ANGLE: 1°	DWG BY: TMM	<b>HEAT SEAL/AMPAK</b> CLEVELAND, OHIO 44125		
	DATE: 9/14/2010			
	CHK'D BY:	<b>DESCRIPTION:</b> <b>LABEL DISPENSER</b>		
DATE:				
USED ON: PS7	SHEET SIZE: <b>C</b>		SHEET: 1 OF: 1	DRAWING NO. <b>5104-003</b>
PART FILE NAME: I:\CAD\HEATSEAL\PRODUCTS\General Supermarket\Label Dispensers\PS7\5104-003.iam		DO NOT SCALE PRINT		REVISION: <b>0</b>