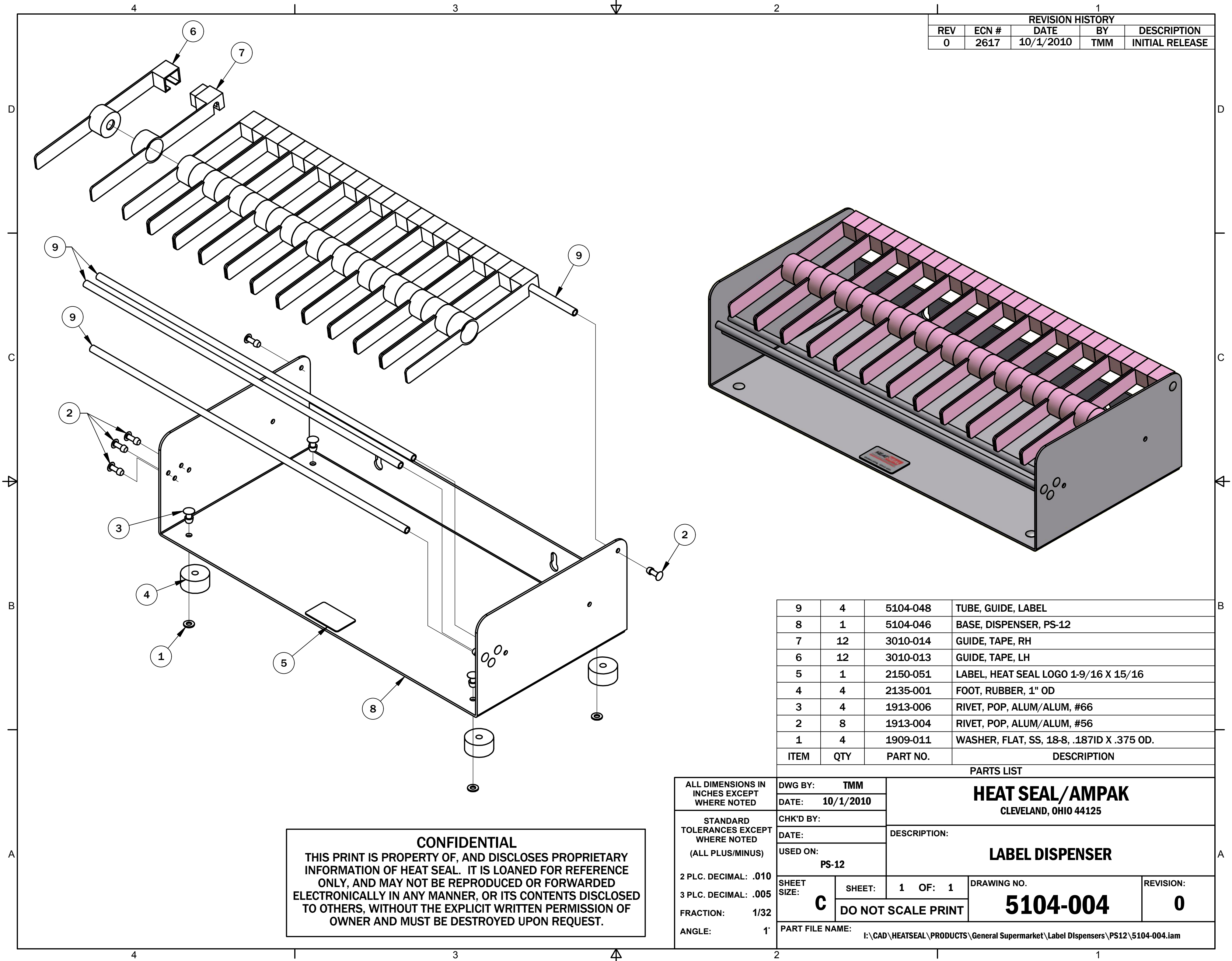


REVISION HISTORY				
REV	ECN #	DATE	BY	DESCRIPTION
0	2617	10/1/2010	TMM	INITIAL RELEASE



9	4	5104-048	TUBE, GUIDE, LABEL
8	1	5104-046	BASE, DISPENSER, PS-12
7	12	3010-014	GUIDE, TAPE, RH
6	12	3010-013	GUIDE, TAPE, LH
5	1	2150-051	LABEL, HEAT SEAL LOGO 1-9/16 X 15/16
4	4	2135-001	FOOT, RUBBER, 1" OD
3	4	1913-006	RIVET, POP, ALUM/ALUM, #66
2	8	1913-004	RIVET, POP, ALUM/ALUM, #56
1	4	1909-011	WASHER, FLAT, SS, 18-8, .187ID X .375 OD.
ITEM	QTY	PART NO.	DESCRIPTION

PARTS LIST

CONFIDENTIAL
 THIS PRINT IS PROPERTY OF, AND DISCLOSES PROPRIETARY INFORMATION OF HEAT SEAL. IT IS LOANED FOR REFERENCE ONLY, AND MAY NOT BE REPRODUCED OR FORWARDED ELECTRONICALLY IN ANY MANNER, OR ITS CONTENTS DISCLOSED TO OTHERS, WITHOUT THE EXPLICIT WRITTEN PERMISSION OF OWNER AND MUST BE DESTROYED UPON REQUEST.

ALL DIMENSIONS IN INCHES EXCEPT WHERE NOTED	DWG BY: TMM	HEAT SEAL/AMPAK CLEVELAND, OHIO 44125		
STANDARD TOLERANCES EXCEPT WHERE NOTED (ALL PLUS/MINUS)	DATE: 10/1/2010			
2 PLC. DECIMAL: .010	CHK'D BY:	DESCRIPTION: LABEL DISPENSER		
3 PLC. DECIMAL: .005	DATE:			
FRACTION: 1/32	USED ON: PS-12	DRAWING NO. 5104-004		
ANGLE: 1'	SHEET SIZE: C			
	SHEET: 1 OF: 1	DO NOT SCALE PRINT		REVISION: 0
	PART FILE NAME: I:\CAD\HEATSEAL\PRODUCTS\General Supermarket\Label Dispensers\PS12\5104-004.iam			