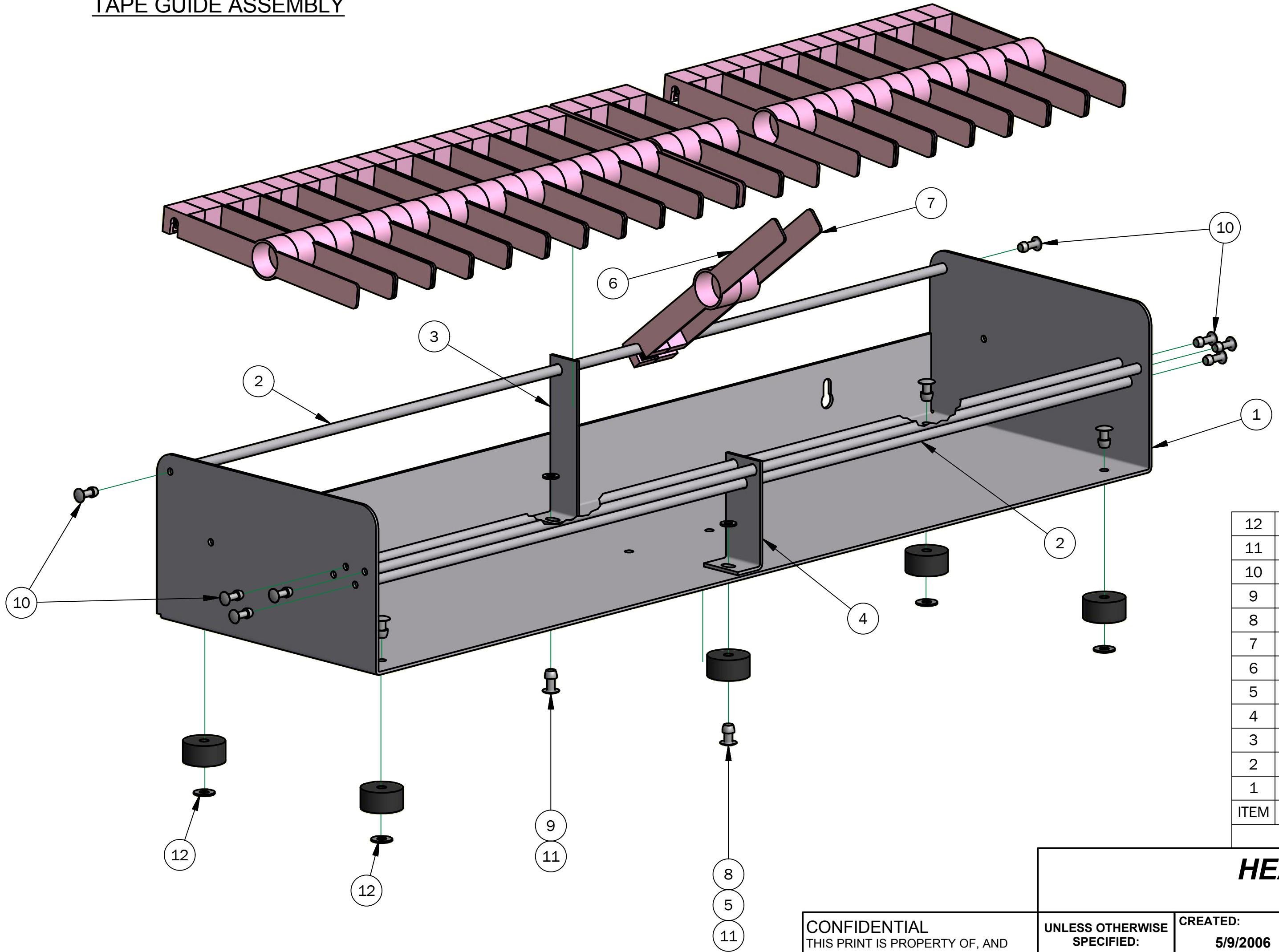
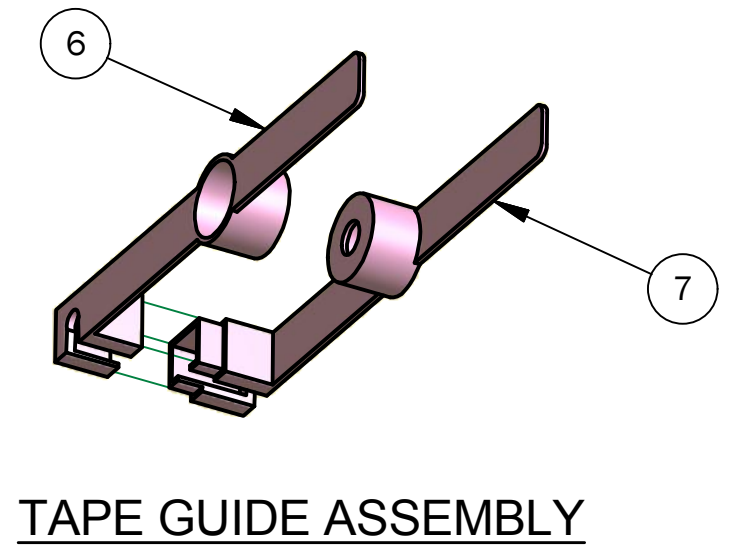


REVISION HISTORY				
REV	ECN	DATE	BY	DESCRIPTION
1	3515	12/29/2016	NSS	ADDED 4X 1909-026, REMOVED 4X 1909-011



ITEM	QTY	PART NO.	DESCRIPTION
12	4	1909-026	WASHER, FLAT, SS, #10
11	2	1909-011	WASHER, FLAT, SS, 18-8, .187ID X .375 OD.
10	8	1913-004	RIVET, POP, ALUM/ALUM, #56
9	1	1913-005	RIVET, POP, ALUM/ALUM, #64
8	5	1913-006	RIVET, POP, ALUM/ALUM, #66
7	20	3010-014	GUIDE, TAPE, RH
6	20	3010-013	GUIDE, TAPE, LH
5	5	2135-001	FOOT, RUBBER, 1" OD
4	1	5104-193	BRACE, FRONT
3	1	5104-052	BRACE, REAR
2	4	5104-030	TUBE, GUIDE, LABEL
1	1	5104-050	BASE, DISPENSER

Parts List

HEAT SEAL/AMPAK
CLEVELAND, OHIO 44125

<p>UNLESS OTHERWISE SPECIFIED:</p> <p>ALL DIMENSIONS IN INCHES</p> <p>STANDARD TOLERANCES:</p> <p>0.00: ± .010</p> <p>0.000: ± .005</p> <p>ANGLE: ± 1'</p>	<p>CREATED: 5/9/2006</p>	<p>DESCRIPTION: LABEL DISPENSER, 20 ROLL CAPACITY</p>	
	<p>CREATED BY: SmithD</p>	<p>DRAWING NUMBER: 5104-005</p>	
	<p>CHECKED:</p>	<p>REVISION: 1</p>	
	<p>CHECKED BY:</p>	<p>SIZE: C</p>	<p>SCALE: NONE</p>

CONFIDENTIAL
THIS PRINT IS PROPERTY OF, AND DISCLOSES PROPRIETARY INFORMATION OF HEAT SEAL. IT IS LOANED FOR REFERENCE ONLY, AND MAY NOT BE REPRODUCED OR FORWARDED ELECTRONICALLY IN ANY MANNER, OR ITS CONTENTS DISCLOSED TO OTHERS, WITHOUT THE EXPLICIT WRITTEN PERMISSION OF OWNER AND MUST BE DESTROYED UPON REQUEST.