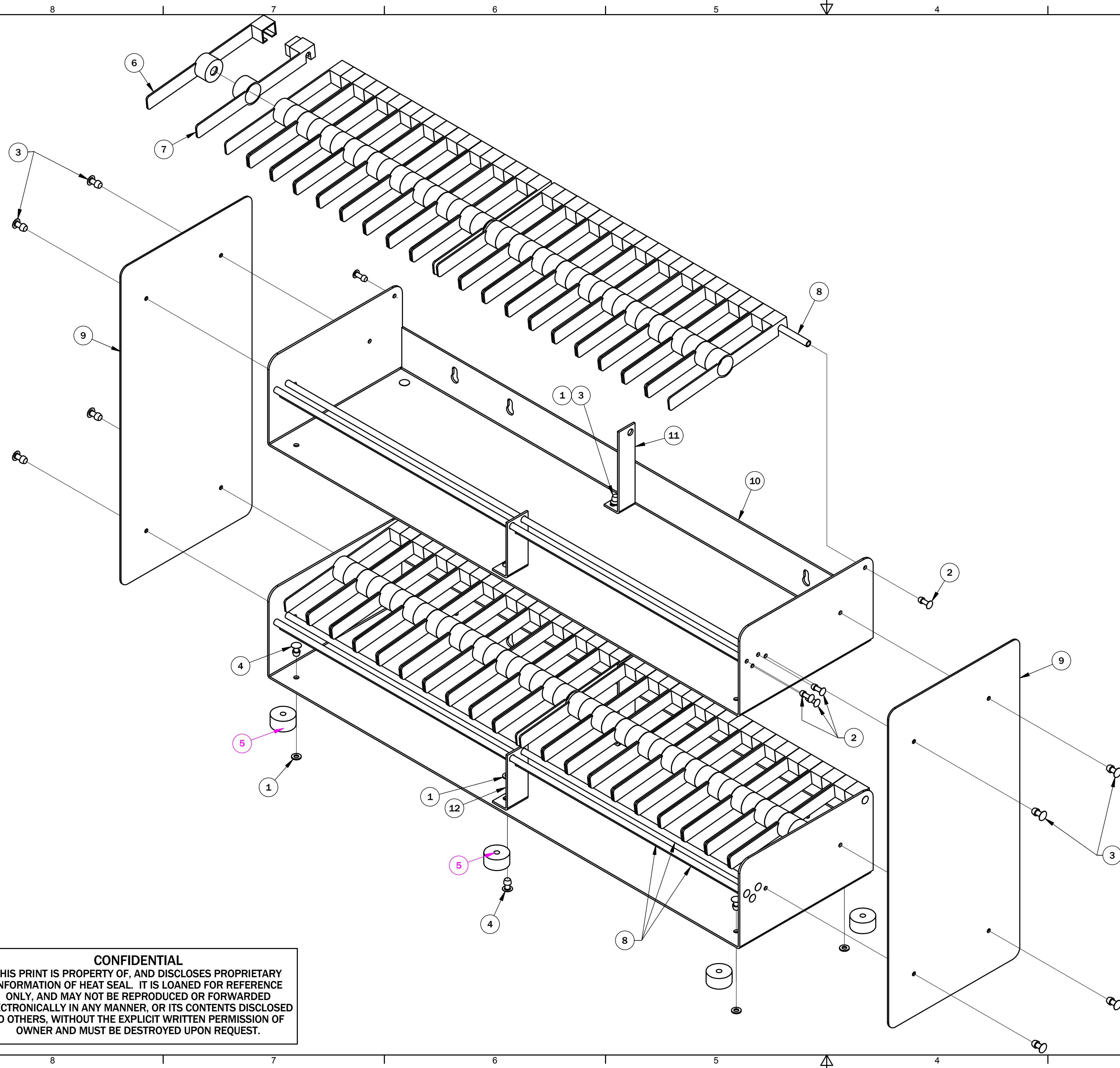


REVISION HISTORY				
REV	ECN #	DATE	BY	DESCRIPTION
0	2617	10/6/2010	TMM	INITIAL RELEASE



ITEM	QTY	PART NO.	DESCRIPTION
12	2	5104-193	BRACE, FRONT
11	2	5104-052	BRACE, REAR
10	2	5104-050	BASE, DISPENSER
9	2	5104-049	Plate, Side - PS24/40
8	8	5104-030	TUBE, GUIDE, LABEL
7	40	3010-014	GUIDE, TAPE, RH
6	40	3010-013	GUIDE, TAPE, LH
5	5	2135-001	FOOT, RUBBER, 1" OD
4	5	1913-006	RIVET, POP, ALUM/ALUM, #66
3	10	1913-005	RIVET, POP, ALUM/ALUM, #64
2	16	1913-004	RIVET, POP, ALUM/ALUM, #56
1	8	1909-011	WASHER, FLAT, SS, 18-8, .187ID X .375 OD.

**PARTS LIST**  
**HEAT SEAL/AMPAK**  
 CLEVELAND, OHIO 44125

ALL DIMENSIONS IN INCHES EXCEPT WHERE NOTED	DWG BY: TMM	<b>HEAT SEAL/AMPAK</b> CLEVELAND, OHIO 44125		
STANDARD TOLERANCES EXCEPT WHERE NOTED (ALL PLUS/MINUS)	DATE: 10/5/2010			
2 PLC. DECIMAL: .010	CHK'D BY:	<b>DESCRIPTION:</b> <b>LABEL DISPENSER</b>		
3 PLC. DECIMAL: .005	DATE:			
FRACTION: 1/32	USED ON: PS40	SHEET: 1 OF 1	DRAWING NO. <b>5104-007</b>	REVISION: <b>0</b>
ANGLE: 1'	SHEET SIZE: <b>D</b> <b>DO NOT SCALE PRINT</b>		PART FILE NAME: I:\CAD\HEATSEAL\PRODUCTS\General Supermarket\Label Dispensers\PS40\5104-007.iam	

**CONFIDENTIAL**  
 THIS PRINT IS PROPERTY OF, AND DISCLOSES PROPRIETARY INFORMATION OF HEAT SEAL. IT IS LOANED FOR REFERENCE ONLY, AND MAY NOT BE REPRODUCED OR FORWARDED ELECTRONICALLY IN ANY MANNER, OR ITS CONTENTS DISCLOSED TO OTHERS, WITHOUT THE EXPLICIT WRITTEN PERMISSION OF OWNER AND MUST BE DESTROYED UPON REQUEST.