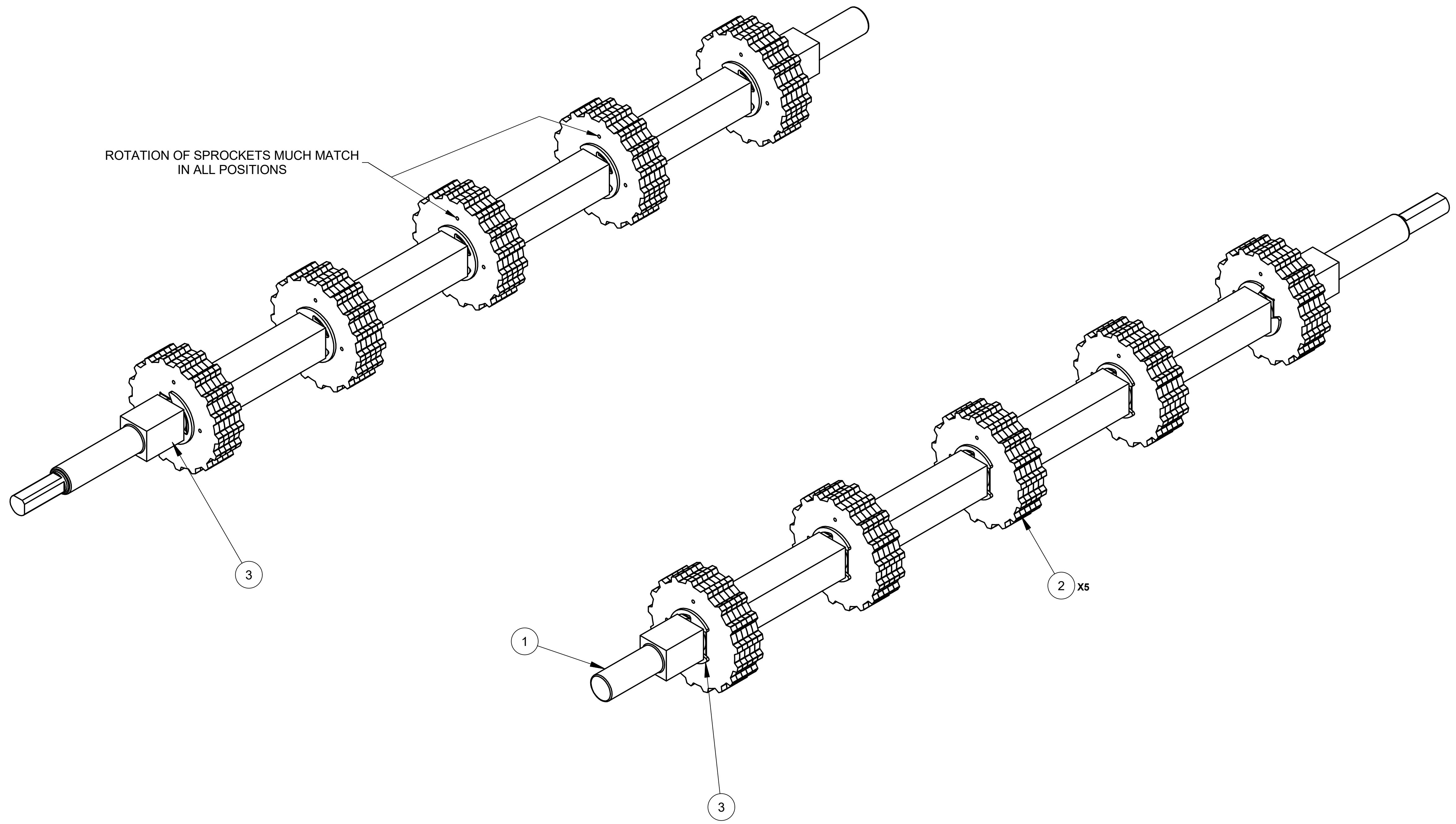


REVISION HISTORY				
REV	ECN	DATE	DONE BY	DESCRIPTION
1	N/A	8/19/2020	MJA	REMOVED SPROCKET ASSY



ITEM	QTY	PART NUMBER	DESCRIPTION
3	10	1958-034	RING, RETAINING, SS, 5/8" DIA
2	25	5820-207	SPROCKET, 2" OD, XT327
1	1	5820-205	SHAFT, DRIVE

Material Specification

HEAT SEAL/AMPAK
CLEVELAND, OHIO 44125

CONFIDENTIAL
THIS PRINT IS PROPERTY OF, AND DISCLOSES PROPRIETARY INFORMATION OF HEAT SEAL. IT IS LOANED FOR REFERENCE ONLY, AND MAY NOT BE REPRODUCED OR FORWARDED ELECTRONICALLY IN ANY MANNER, OR ITS CONTENTS DISCLOSED TO OTHERS, WITHOUT THE EXPLICIT WRITTEN PERMISSION OF OWNER AND MUST BE DESTROYED UPON REQUEST.

UNLESS OTHERWISE SPECIFIED:	CREATED: 1/7/2015
ALL DIMENSIONS IN INCHES	CREATED BY: MAbbott
STANDARD TOLERANCES:	CHECKED: 3/26/2015
0.00: ± .010	CHECKED BY: JFEASTER
0.000: ± .005	
ANGLE: ± 1'	

DESCRIPTION: DRIVE ROLLER ASSY, XT327, 15" W	
DRAWING NUMBER: 5820-206	REVISION: 1
SIZE: D	SCALE: NONE
SHEET: 1	OF: 1