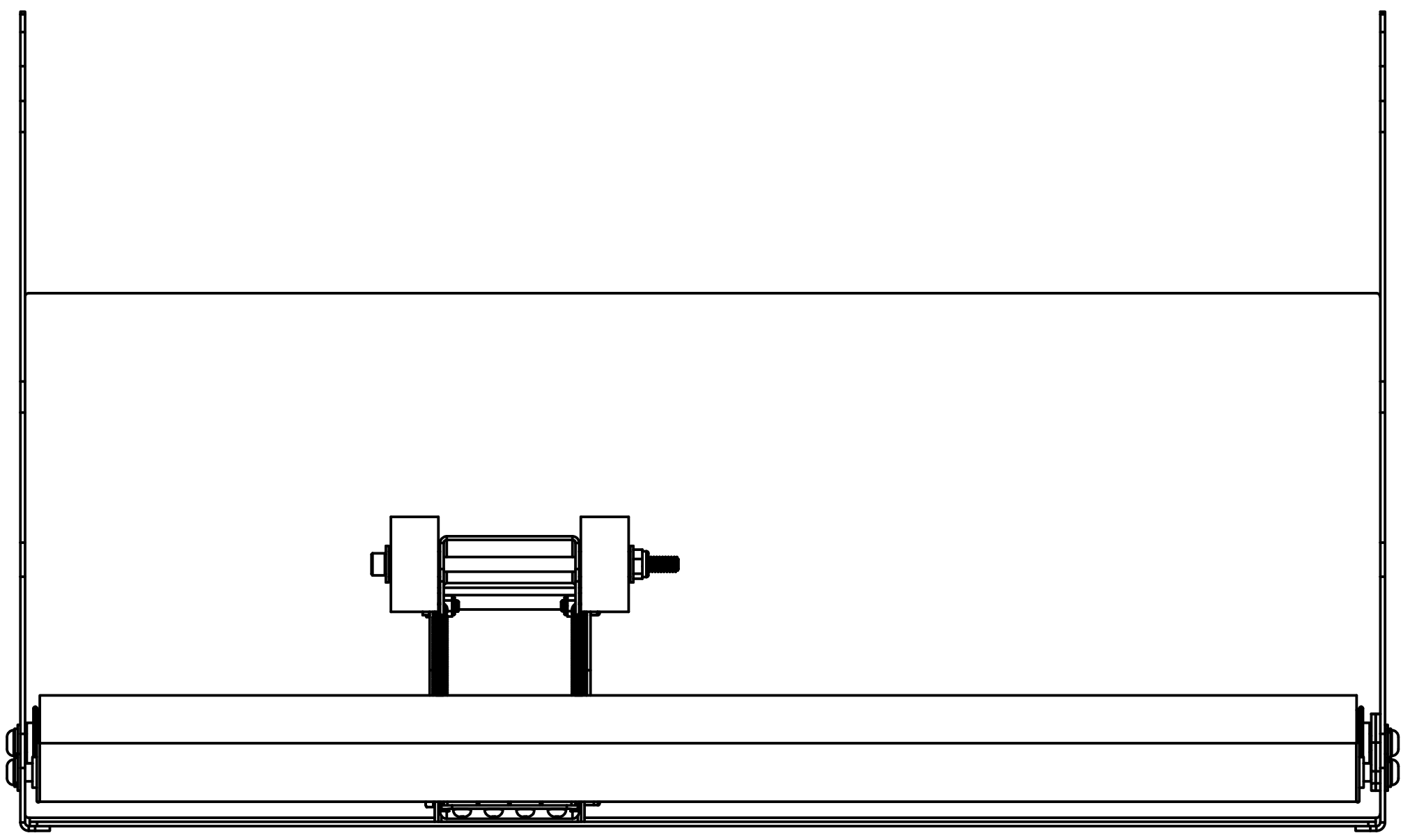
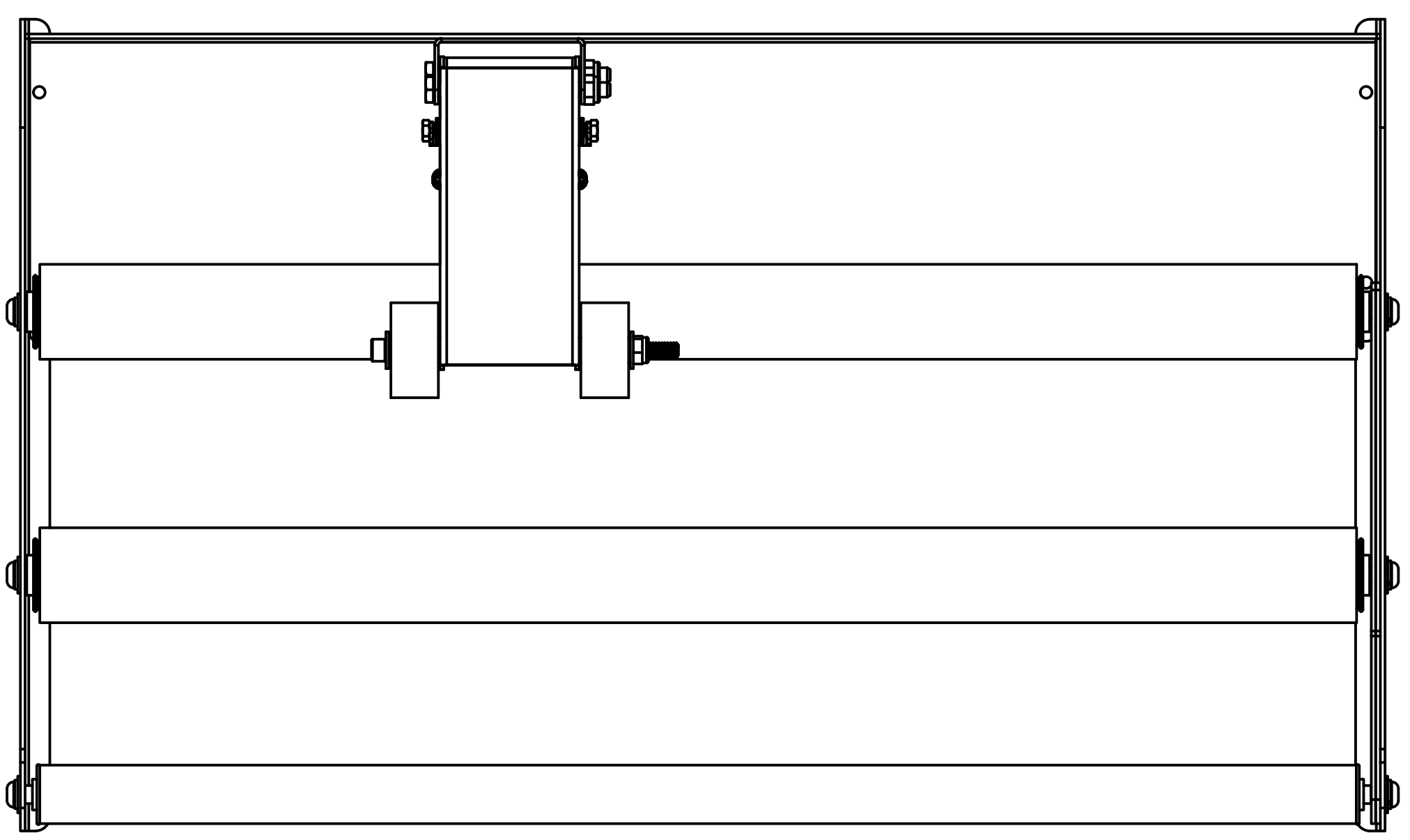


TYP ALL ROLLERS



ITEM	QTY	PART NUMBER	DESCRIPTION
20	2	1903-799	SCR, CAP, HEX HD, SS, 1/4-20 X 3 LG
19	6	1903-169	SCR, CAP, BUTTON HD, SOCKET 1/4-20 X 5/8 LG, SS
18	6	1907-001	LOCKWASHER, SPLIT, 1/4 MED, SS
17	2	1911-027	Locknut, Nylon Insert, 10-32
16	2	1903-758	SCR, MACH, HEX HD, SS, 10-32 x 0.5" LG
15	4	1909-022	WASHER, FLAT, SS, #8 (3/16 ID X 7/16 OD)
14	2	2170-069	SPRING, EXTENSION, SS, 0.25 OD, 2.5 LG, 0.029 WIRE
13	2	2115-031	WHEEL, SKATE, ABS, 1-5/8 OD, 1/4" BORE
12	3	1911-021	NUT, HEX, NYLOCK 1/4-20, SS
11	8	1909-002	WASHER, FLAT, SS, 5/8 OD X 1/4 ID X .065 THK
10	1	1903-761	SCREW, CAP, SOC HD, SS, 1/4-20 x 5" LG
9	4	0910-021	BUMPER, RUBBER, 1/2 OD, 1/4 H, 1/4 STEM
8	1	5820-398	LOCKING BAR, BRAKE LEVER
7	1	5820-397	BOTTOM BRAKE LEVER, FILM RACK
6	1	5820-396	TOP BRAKE LEVER, FILM RACK
5	3	5820-390	SHAFT, FILM ROLLER, 5/16
4	1	5820-386	ROLLER ASSEMBLY, FILM
3	2	5820-385	FILM SUPPORT ROLLER ASSEMBLY
2	2	5820-383-AUX-1	SHIM, AUX FILM RACK, 14GA
1	1	5820-384-AUX	AUX FILM RACK BASE, HDX250

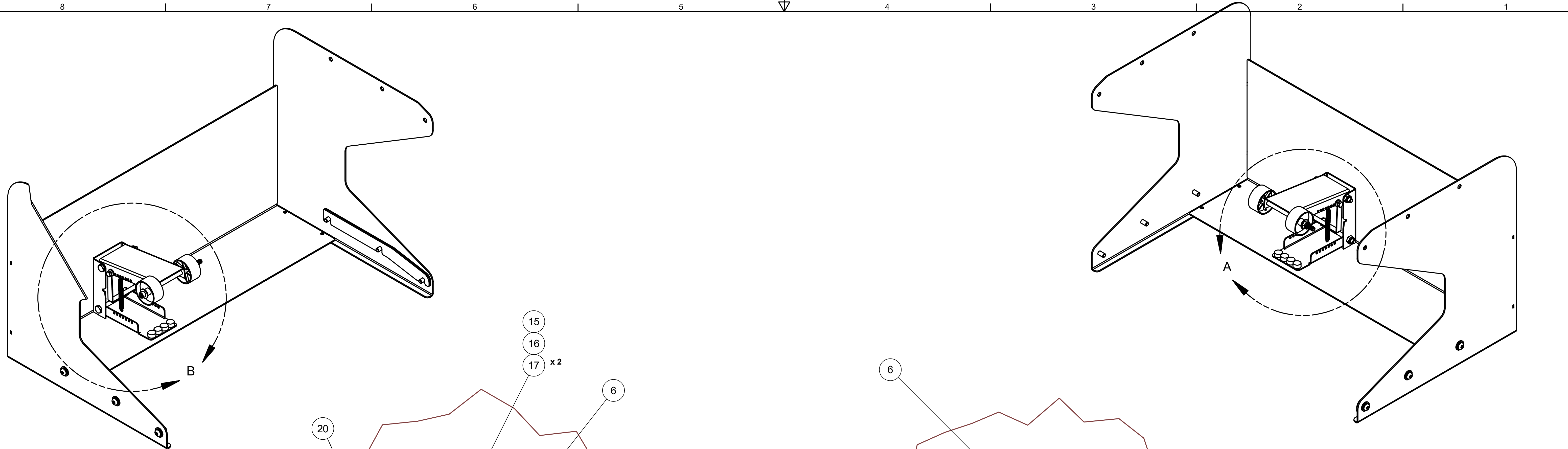
Material Specification

HEAT SEAL/AMPAK
CLEVELAND, OHIO 44125

CONFIDENTIAL
THIS PRINT IS PROPERTY OF, AND DISCLOSES PROPRIETARY INFORMATION OF HEAT SEAL. IT IS LOANED FOR REFERENCE ONLY, AND MAY NOT BE REPRODUCED OR FORWARDED ELECTRONICALLY IN ANY MANNER, OR ITS CONTENTS DISCLOSED TO OTHERS, WITHOUT THE EXPLICIT WRITTEN PERMISSION OF OWNER AND MUST BE DESTROYED UPON REQUEST.

UNLESS OTHERWISE SPECIFIED:
ALL DIMENSIONS IN INCHES
STANDARD TOLERANCES:
0.00: ± .010
0.000: ± .005
ANGLE: ± 1'

CREATED: 5/28/2021
CREATED BY: MAbbott
CHECKED BY:
DESCRIPTION:
FILM RACK, ADD ON, HDX 250
DRAWING NUMBER:
5820-383-AUX
REVISION:
0
SIZE: D SCALE: NONE SHEET: 1 OF: 2



DETAIL B

DETAIL A

TIGHTEN ALL LOCKNUTS SO THAT PARTS ROTATE FREELY

HEAT SEAL/AMPAK CLEVELAND, OHIO 44125			
CONFIDENTIAL THIS PRINT IS PROPERTY OF, AND DISCLOSES PROPRIETARY INFORMATION OF HEAT SEAL. IT IS LOANED FOR REFERENCE ONLY, AND MAY NOT BE REPRODUCED OR FORWARDED ELECTRONICALLY IN ANY MANNER, OR ITS CONTENTS DISCLOSED TO OTHERS, WITHOUT THE EXPLICIT WRITTEN PERMISSION OF OWNER AND MUST BE DESTROYED UPON REQUEST.	DESCRIPTION: FILM RACK, ADD ON, HDX 250		
	DRAWING NUMBER: 5820-383-AUX		REVISION: 0
	SIZE: D	SCALE: NONE	SHEET: 2 OF: 2