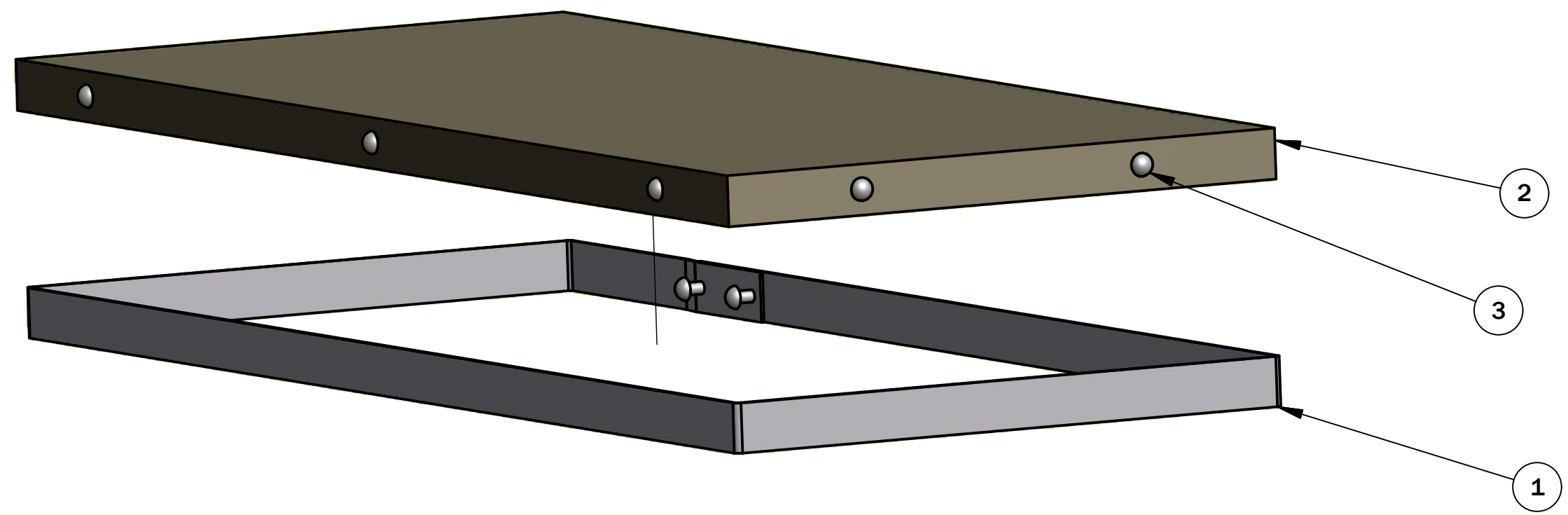


REVISION HISTORY				
REV	ECN #	DATE	BY	DESCRIPTION
0	2236	11/19/2008	JPR	INITIAL RELEASE



ITEM	QTY	PART NO.	DESCRIPTION
3	10	1913-008	Button Head Small Solid Rivet
2	1	0905-004-6X15-FOLDED	CLOTH, TEFLON- 5 MIL
1	1	5901-106	FRAME, BAND - ALUMINUM

PARTS LIST

ALL DIMENSIONS IN INCHES EXCEPT WHERE NOTED STANDARD TOLERANCES EXCEPT WHERE NOTED (ALL PLUS/MINUS) 2 PLC. DECIMAL: .010 3 PLC. DECIMAL: .005 FRACTION: 1/32 ANGLE: 1'	DWG BY: RoodhouseJ DATE: 11/19/2008		HEAT SEAL/AMPAK CLEVELAND, OHIO 44125	
	CHK'D BY: DATE:			
	USED ON: 6 X 15 TABLE WRAPPER		DESCRIPTION: NON-STICK COVER, 6 X 15	
	SHEET SIZE: C	SHEET: 1 OF: 1	DRAWING NO. 5901-011	REVISION: 0
PART FILE NAME: C:_Vault Working Folder\Heat Seal Vault\Designs\Supermarket Designs\200ES\5901-011.iam				

