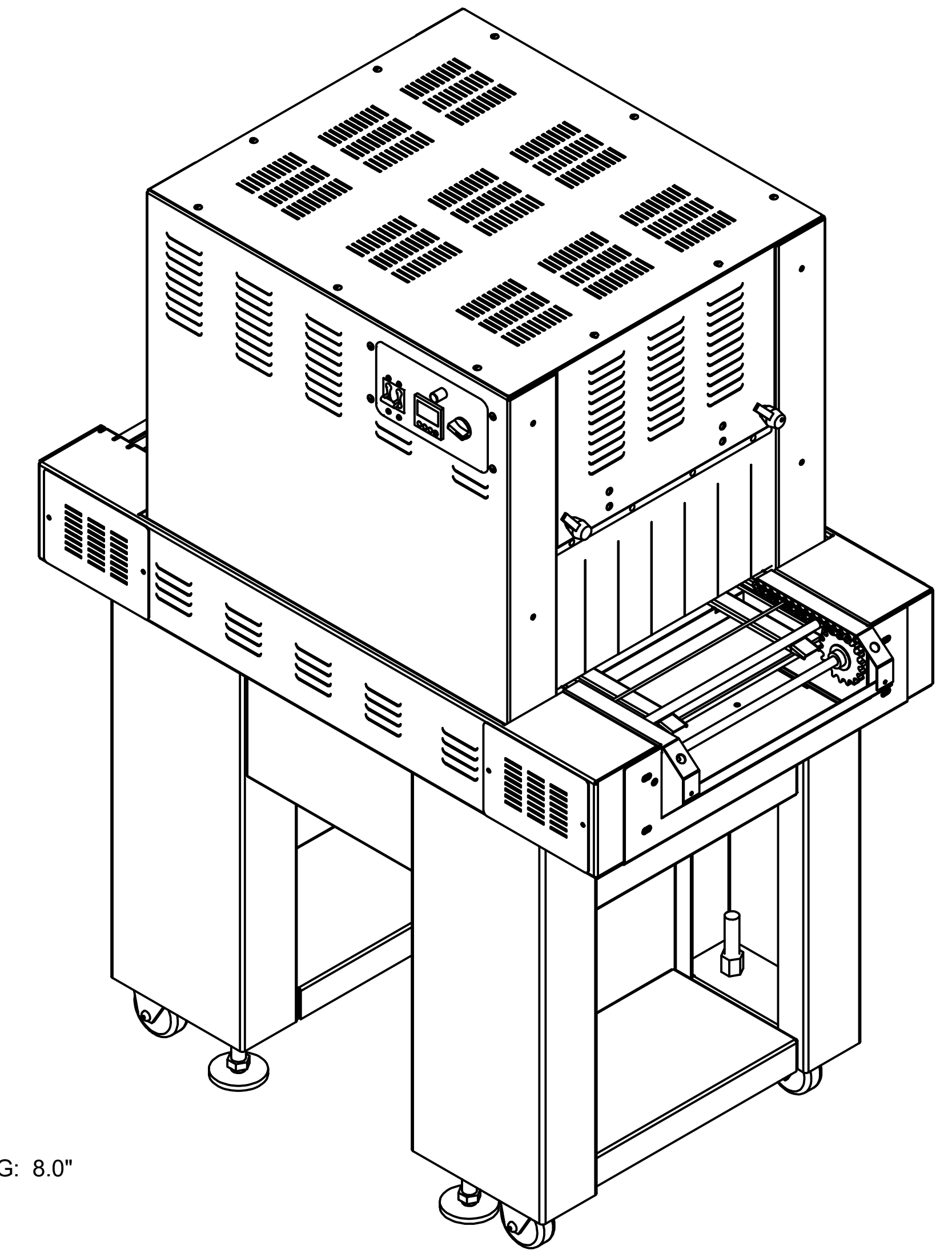
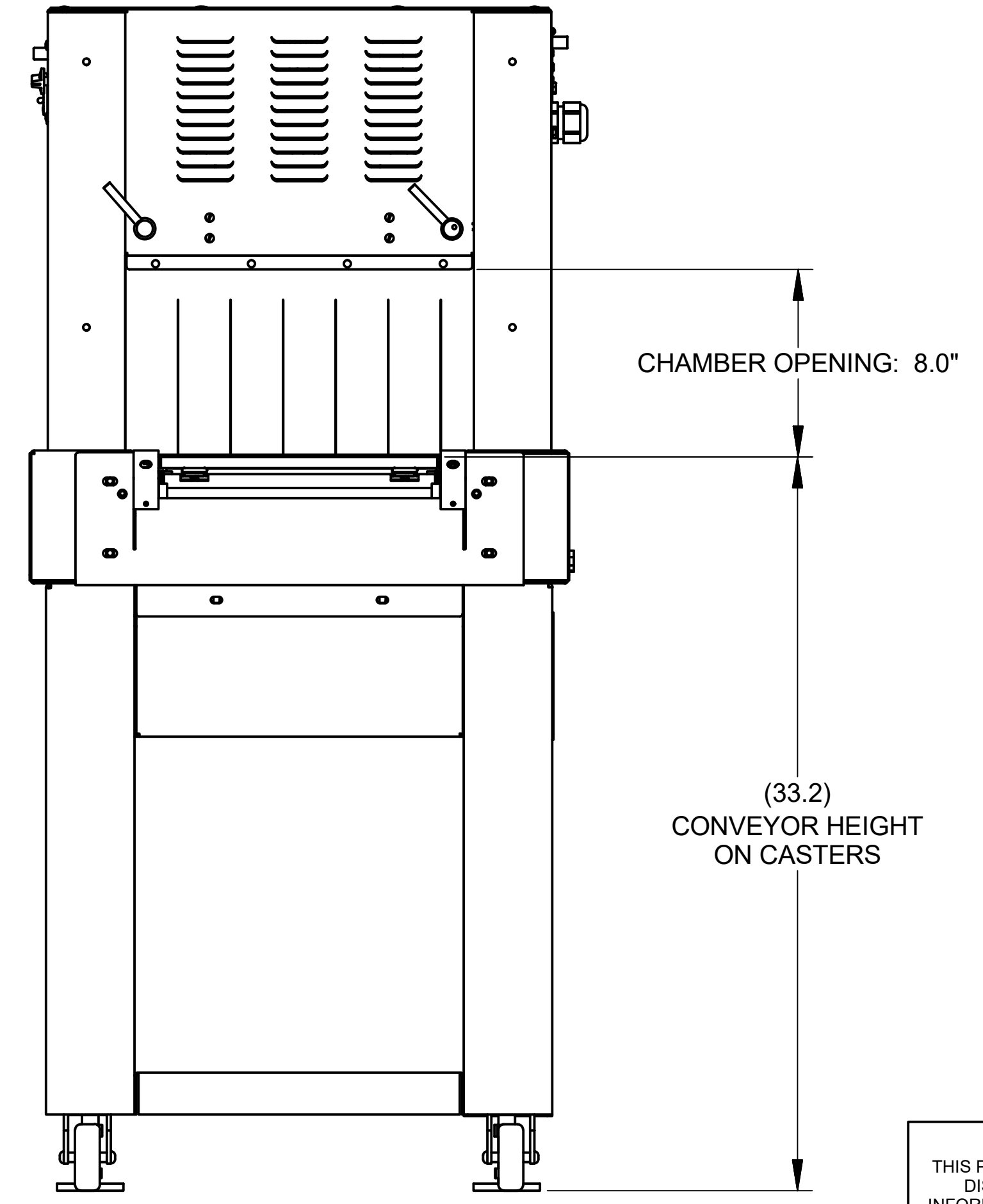
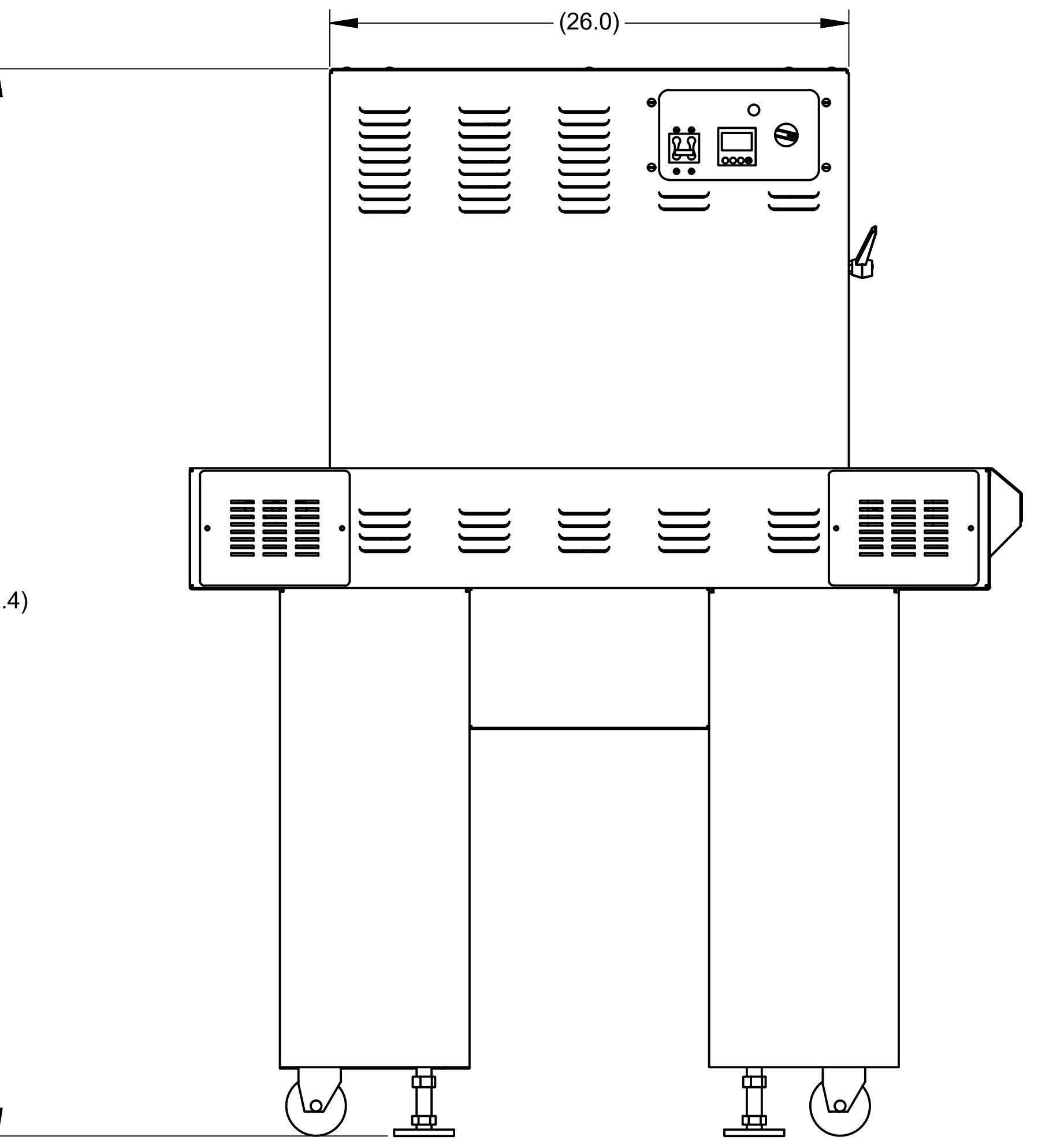
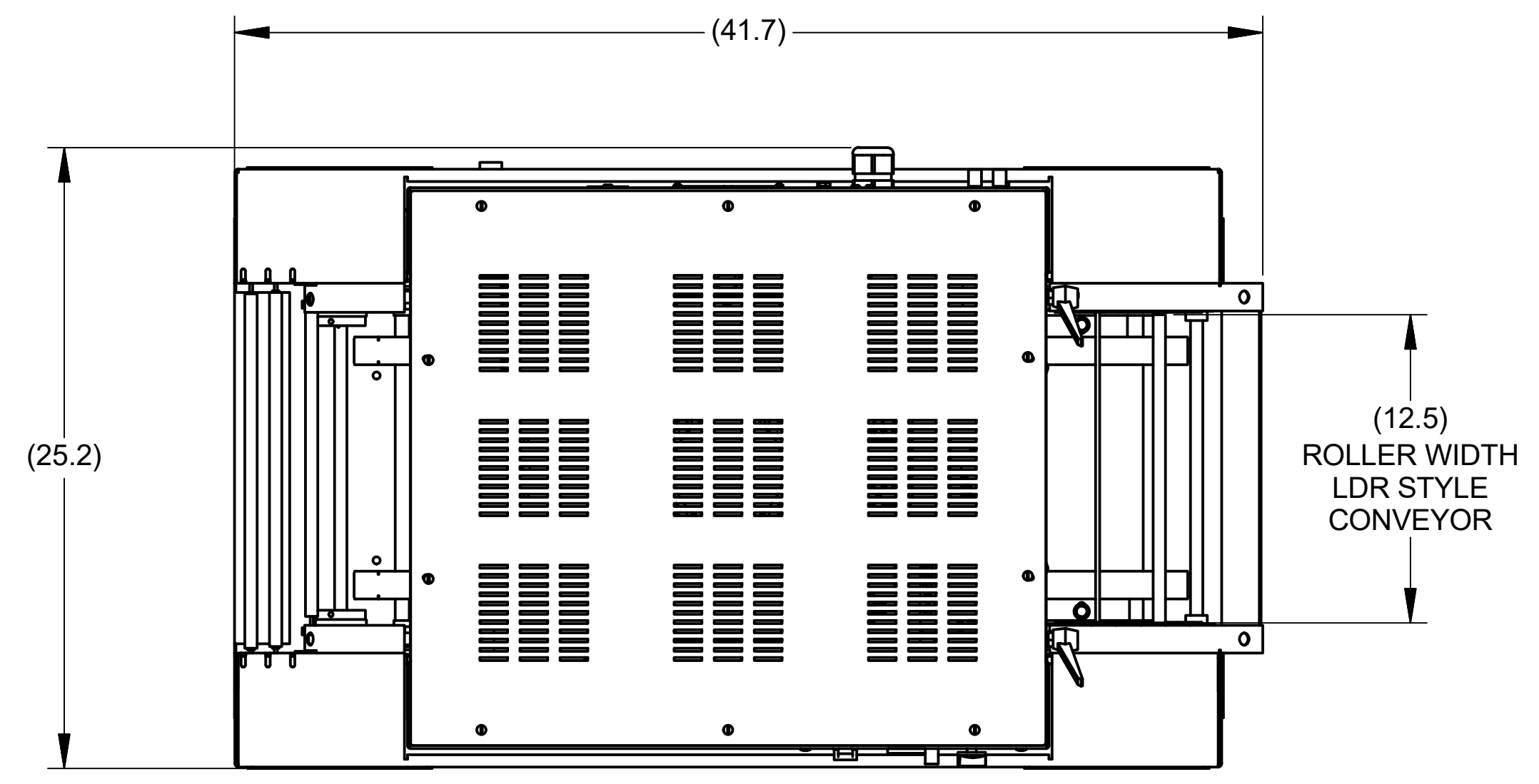


8 7 6 5 4 3 2 1



<p><b>CONFIDENTIAL</b> THIS PRINT IS PROPERTY OF, AND DISCLOSES PROPRIETARY INFORMATION OF HEAT SEAL. IT IS LOANED FOR REFERENCE ONLY, AND MAY NOT BE REPRODUCED OR FORWARDED ELECTRONICALLY IN ANY MANNER, OR ITS CONTENTS DISCLOSED TO OTHERS, WITHOUT THE EXPLICIT WRITTEN PERMISSION OF OWNER AND MUST BE DESTROYED UPON REQUEST.</p>		<p>UNLESS OTHERWISE SPECIFIED:</p>	<p>CREATED: 9/21/2023</p>	<p>DESCRIPTION: <b>SHRINK TUNNEL, T-2615, 4 KW, 220V</b></p>	
		<p>ALL DIMENSIONS IN INCHES</p>	<p>CREATED BY: roodhousej</p>	<p>DRAWING NUMBER: <b>6009-012</b></p>	
<p>STANDARD TOLERANCES:</p> <p>0.00: ± .010 0.000: ± .005 ANGLE: ± 1'</p>		<p>CHECKED:</p>	<p>CHECKED BY:</p>	<p>SIZE: D</p>	<p>SCALE: NONE</p>
		<p>SHEET: 1</p>	<p>OF: 1</p>		

8 7 6 5 4 3 2 1