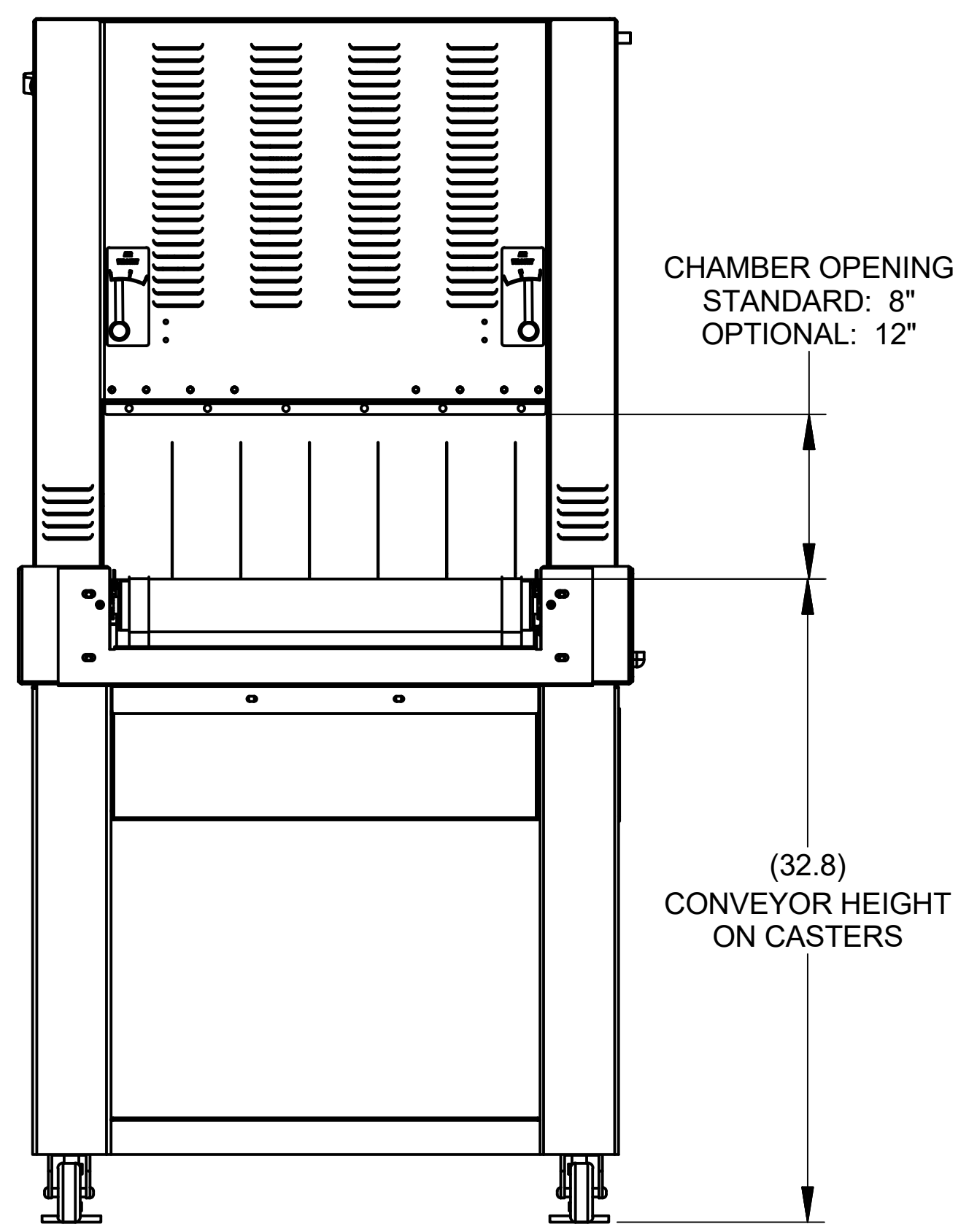
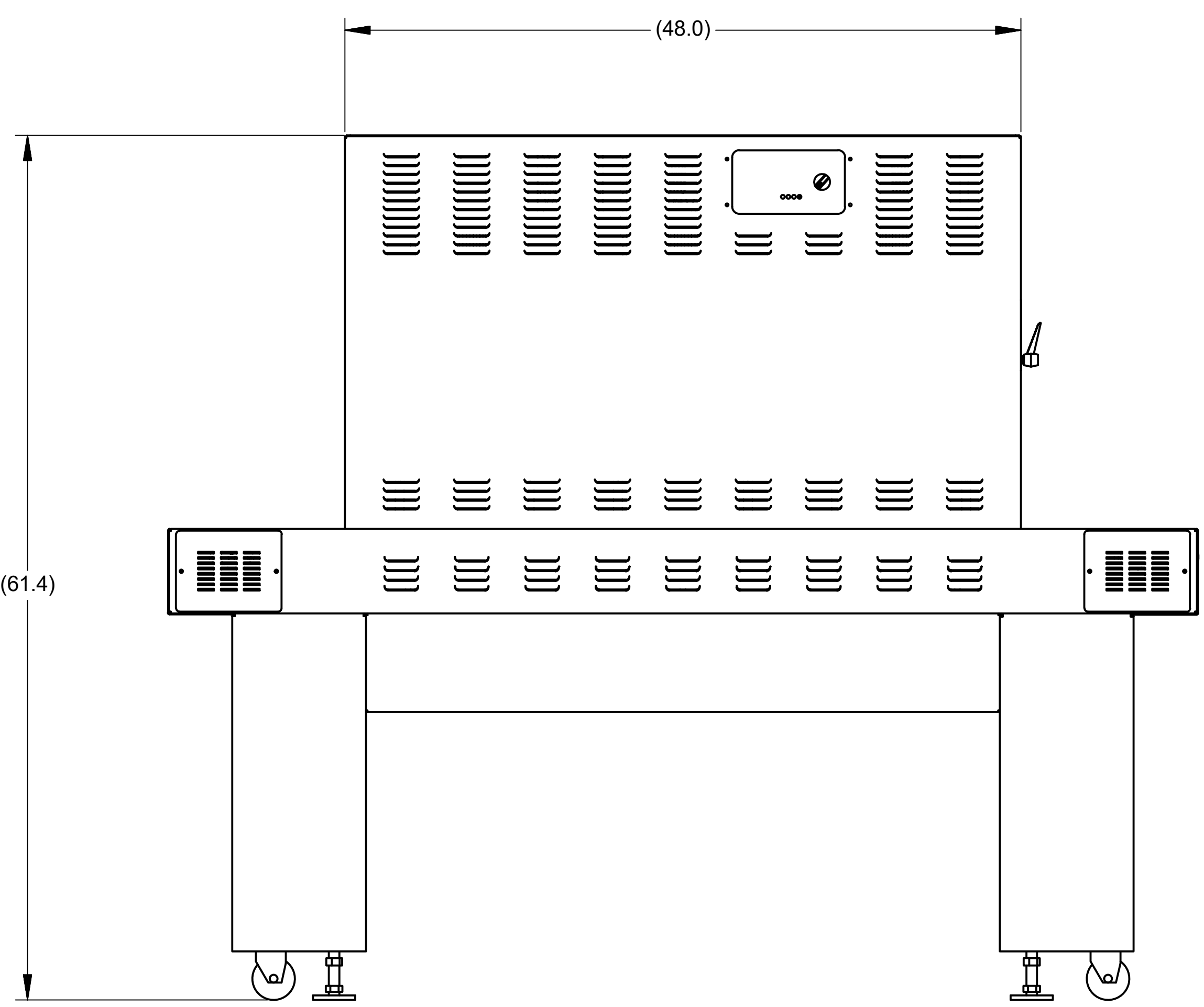
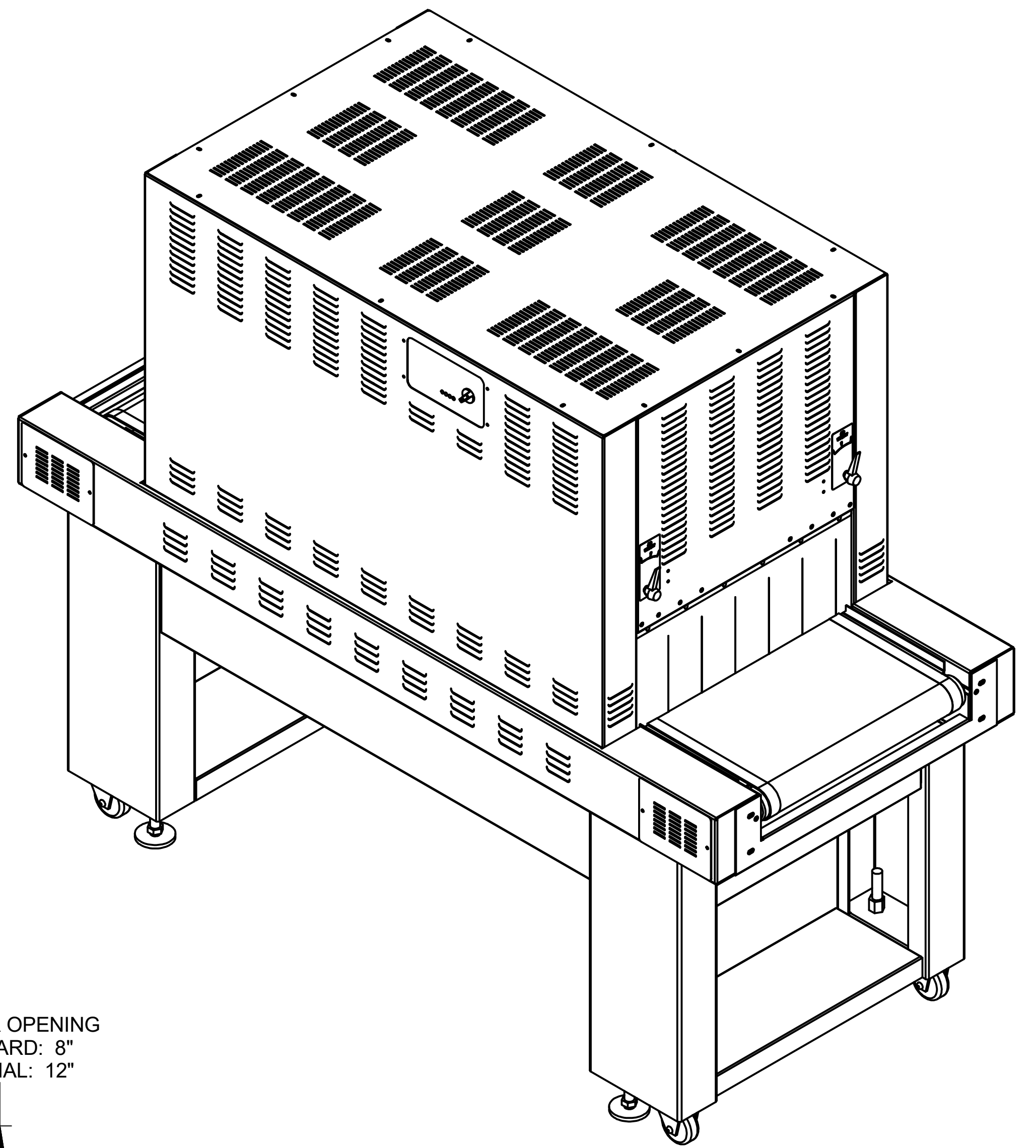
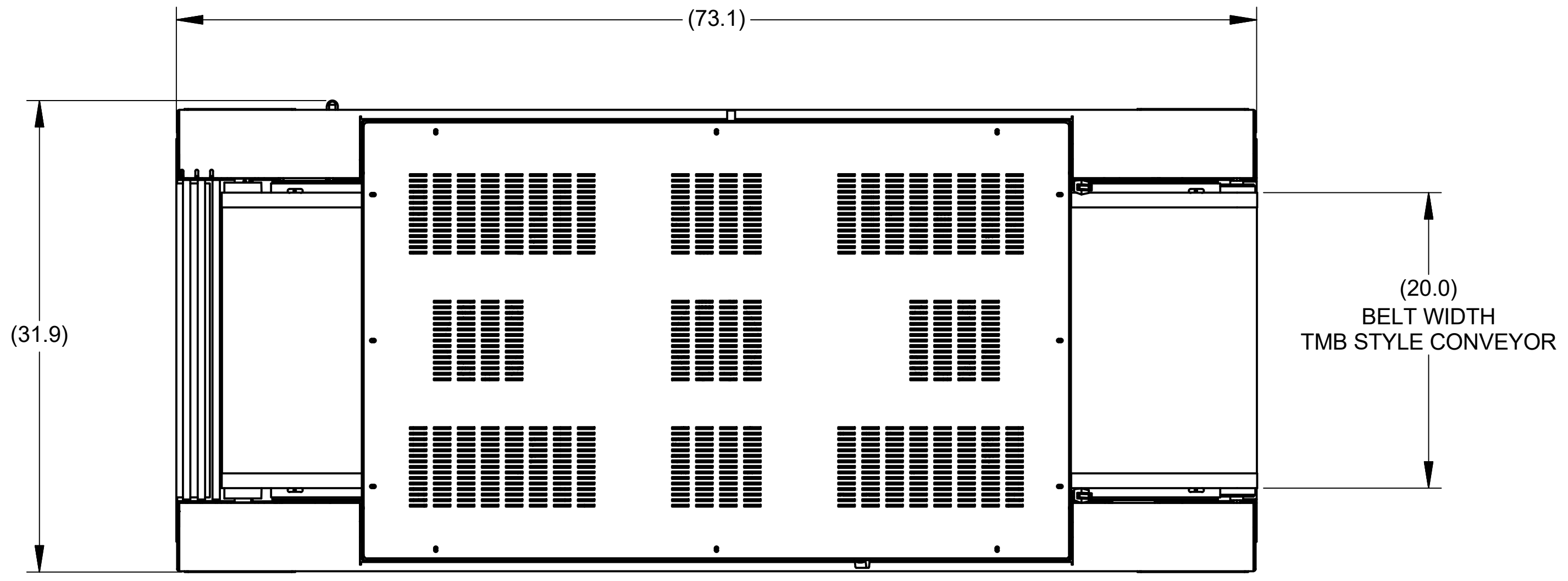


8 7 6 5 4 3 2 1



8 7 6 5 4 3 2 1

CONFIDENTIAL
THIS PRINT IS PROPERTY OF, AND DISCLOSES PROPRIETARY INFORMATION OF HEAT SEAL. IT IS LOANED FOR REFERENCE ONLY, AND MAY NOT BE REPRODUCED OR FORWARDED ELECTRONICALLY IN ANY MANNER, OR ITS CONTENTS DISCLOSED TO OTHERS, WITHOUT THE EXPLICIT WRITTEN PERMISSION OF OWNER AND MUST BE DESTROYED UPON REQUEST.

UNLESS OTHERWISE SPECIFIED: ALL DIMENSIONS IN INCHES		CREATED: 10/20/2015	DESCRIPTION: SHRINK TUNNEL, T-4822	
		CREATED BY: roodhousej	DRAWING NUMBER: 6009-058	
STANDARD TOLERANCES: 0.00: ± .010 0.000: ± .005 ANGLE: ± 1'		CHECKED:	REVISION: 0	
		CHECKED BY:	SIZE: D	SCALE: NONE
			SHEET: 1	OF: 1