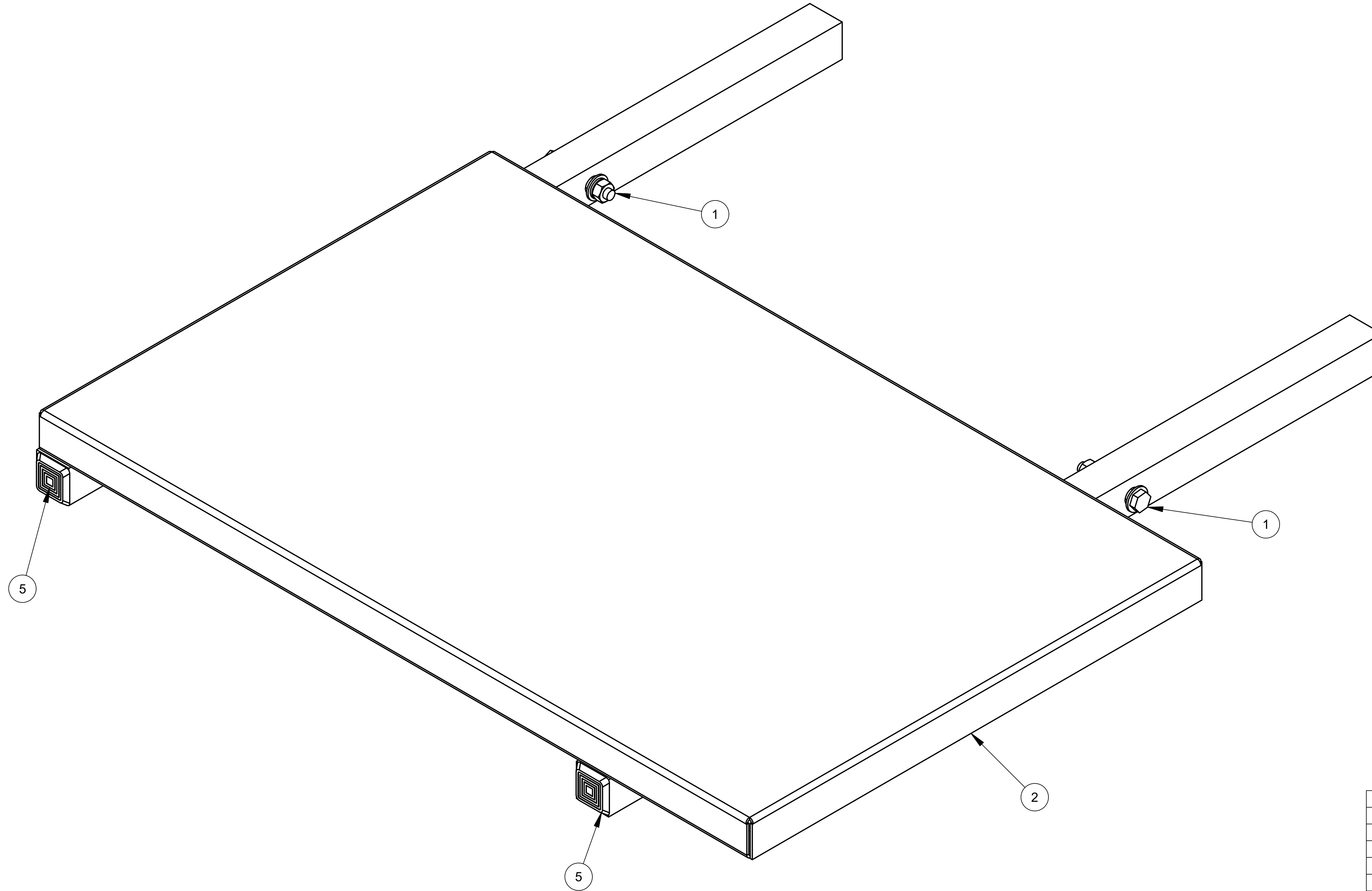


| REVISION HISTORY |      |            |         |   |
|------------------|------|------------|---------|---|
| REV              | ECN  | DATE       | DONE BY | DESCRIPTION   |
| 0                | 3193 | 12/9/2015  | KAB     | INITIAL RELEASE                                       |
| 1                | 3269 | 1/28/2016  | EMT     | 1909-001 WAS 1909-028                                 |
| 2                | 4045 | 3/24/2021  | MG      | ADDED 3380-007 AND 3320-045                           |
| 3                | 4239 | 5/5/2021   | MG      | REPLACED 1970-005 WITH 2195-011                       |
| 4                | 4394 | 11/10/2022 | NS      | REPLACED 1903-181, 1907-001, & 1909-002 WITH 6137-293 |



| ITEM | QTY | PART NUMBER | DESCRIPTION                                |
|------|-----|-------------|--|
| 5    | 2   | 2195-011    | Plug, Cap, Black 1" Sq. Tube x 18 Ga. Wall |
| 4    | 1   | 3320-045    | CDBD BOX, WINGS                            |
| 3    | 0   | 3380-007    | TAPE, PACKING, GUMMED, REINF               |
| 2    | 1   | 6137-049    | WING ASSY, LH, 14 X 22                     |
| 1    | 1   | 6137-293    | KIT, WING HARDWARE                         |

**Material Specification**

**HEAT SEAL/AMPAK**  
CLEVELAND, OHIO 44125

|   |  |                                    |   |
|---|--|------------------------------------|---|
| <p><b>CONFIDENTIAL</b><br/>THIS PRINT IS PROPERTY OF, AND DISCLOSES PROPRIETARY INFORMATION OF HEAT SEAL. IT IS LOANED FOR REFERENCE ONLY, AND MAY NOT BE REPRODUCED OR FORWARDED ELECTRONICALLY IN ANY MANNER, OR ITS CONTENTS DISCLOSED TO OTHERS, WITHOUT THE EXPLICIT WRITTEN PERMISSION OF OWNER AND MUST BE DESTROYED UPON REQUEST.</p> | UNLESS OTHERWISE SPECIFIED:                  | CREATED: 12/9/2015                 | <p>DESCRIPTION:<br/><b>WING ASSY KIT, LH, 14 X 22, ES SCALEMATE</b></p> |
|   | ALL DIMENSIONS IN INCHES                     | CREATED BY: beauregardk            |   |
|   | STANDARD TOLERANCES:                         | CHECKED:                           |   |
|   | 0.00: ± .010<br>0.000: ± .005<br>ANGLE: ± 1' | CHECKED BY:                        |   |
|   |  | DRAWING NUMBER:<br><b>6137-099</b> | REVISION:<br><b>4</b>   |
|   |  | SIZE: D                            | SCALE: NONE SHEET: 1 OF: 1  |

- NOTES:**
1. INSERT 2195-011 PLUGS INTO 6137-049.
  2. PACKAGE 6137-049 & 6137-293 INTO 3320-045.