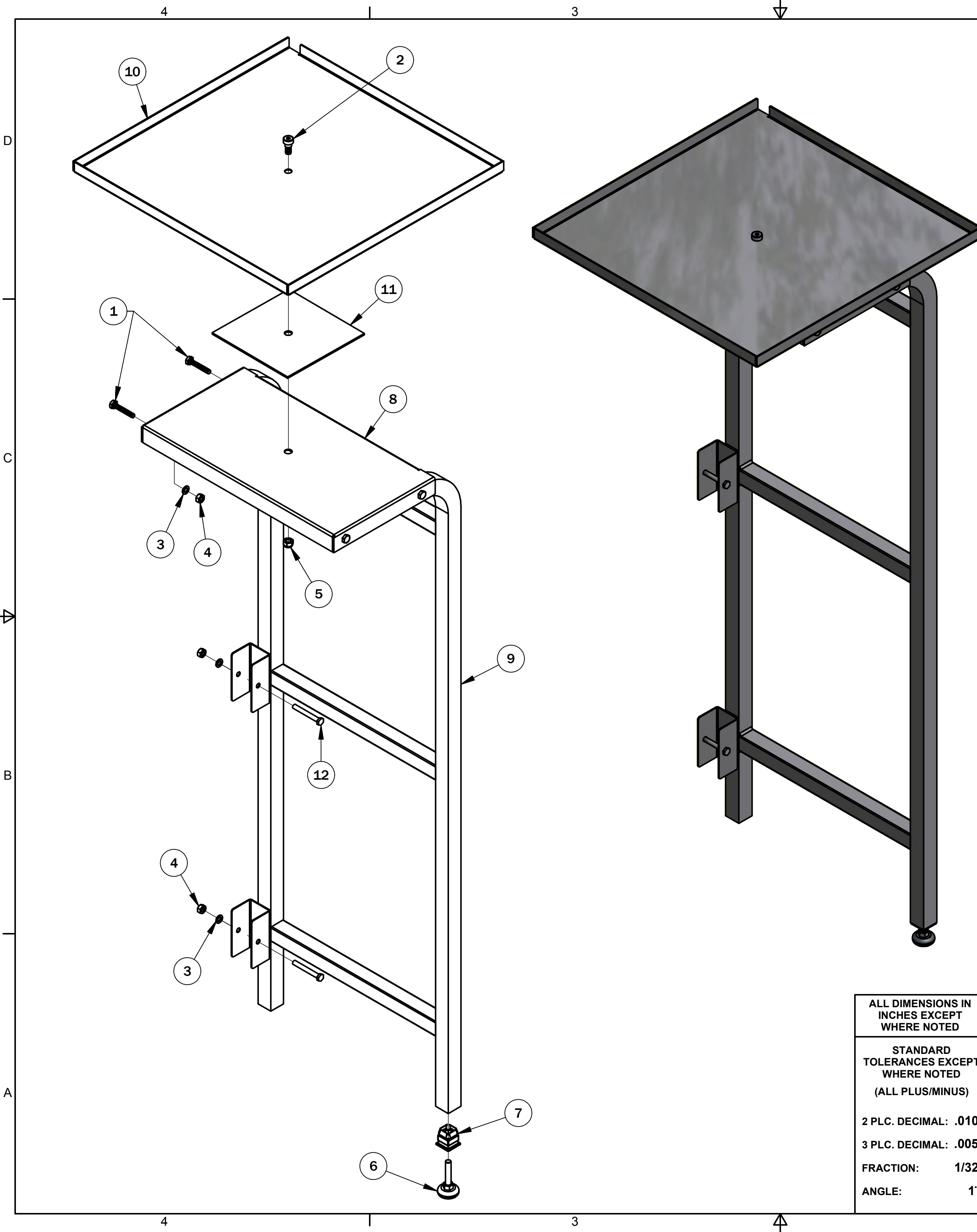


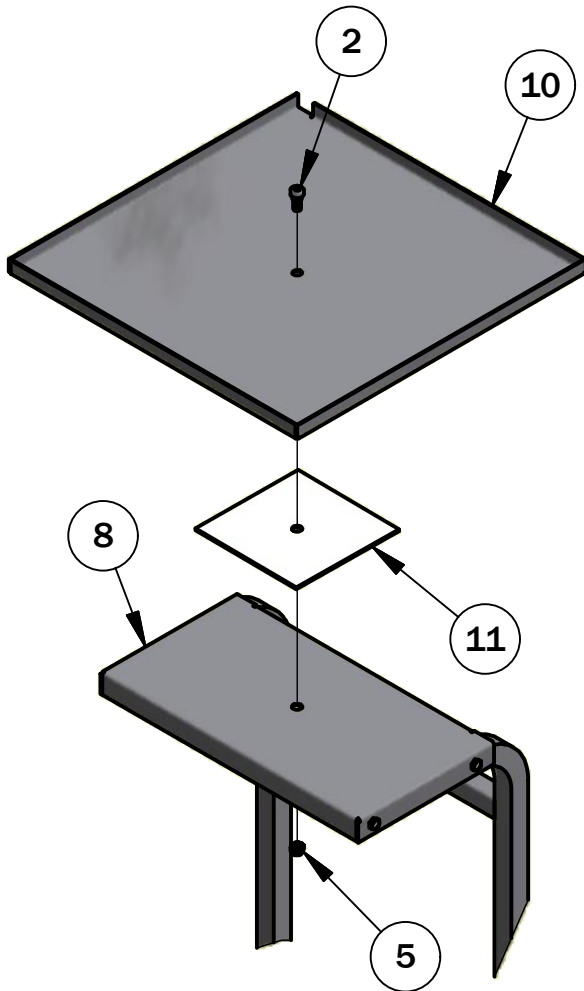
REVISION HISTORY				
REV	ECN #	DATE	BY	DESCRIPTION
0	2278	2/2/2009	TMM	INITIAL RELEASE
1	2322	4/16/2009	WBI	ADDED THREADED INSERT (2135-026)
2	3741	11/2/2017	NSS	ADDED (2) 1903-180, (2) 1907-001, (2) 1911-010

ITEM	QTY	PART NO.	DESCRIPTION
12	2	1903-180	SCR, CAP, HEX HD, SS, 1/4-20 X 2 LG, W/ 3/4 THD
11	1	6430-141	TURNTABLE, PRINTER
10	1	6430-140	TRAY, PIVOT - PRINTER
9	1	6430-138	FRAME WELDMENT, SHELF - PRINTER
8	1	6430-134	SHELF, TOP - PRINTER
7	1	2135-026	THREADED INSERT
6	1	2135-025	LEVELER, DISC
5	1	1911-061	LOCKNUT, NYLON, INSERT 5/16-18 UNC, SS
4	6	1911-010	NUT, HEX, 1/4-20 SS
3	6	1907-001	LOCKWASHER, SPLIT, 1/4 MED, SS
2	1	1903-676	BOLT, SHOULDER, HEX SOC HD, SS
1	4	1903-011	SCR, CAP, HEX HD, SS 1/4-20 X 1-1/2 LG

PARTS LIST				
ALL DIMENSIONS IN INCHES EXCEPT WHERE NOTED		DWG BY: TMM		HEAT SEAL/AMPAK CLEVELAND, OHIO 44125
STANDARD TOLERANCES EXCEPT WHERE NOTED (ALL PLUS/MINUS)		DATE: 2/2/2009		
2 PLC. DECIMAL: .010 3 PLC. DECIMAL: .005 FRACTION: 1/32 ANGLE: 1°		CHK'D BY:		
		DATE:		DESCRIPTION: SHELF ASSEMBLY, PRINTER
		USED ON: SCALEMATE		
		SHEET SIZE: C	SHEET: 1 OF: 2	DRAWING NO. 6430-142
		DO NOT SCALE PRINT		REVISION: 2
PART FILE NAME: C:_Vault Working Folder\Heat Seal Vault\Designs\Supermarket Designs\ES SCALEMATE\REAR ACCESSORIES\6430-142.iam				



INSTALLATION HARDWARE

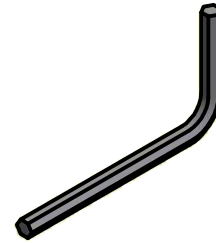


ITEM 1: 3/8 DIA STAINLESS STEEL SHOULDER BOLT

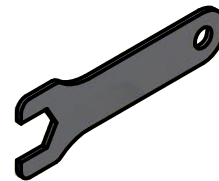


ITEM 2: LOCKNUT, NYLON INSERT, 5/16-18 UNC, SS

INSTALLATION TOOLS



3/16" HEX L-KEY WRENCH



1/2" OPEN END WRENCH

12	2	SCR, CAP, HEX HD, SS, 1/4-20 X 2 LG, W/ 3/4 THD
7	1	THREADED INSERT
6	1	LEVELER, DISC
11	1	TURNTABLE, PRINTER
10	1	TRAY, PIVOT - PRINTER
8	1	SHELF, TOP - PRINTER
5	1	LOCKNUT, NYLON, INSERT 5/16-18 UNC, SS
2	1	BOLT, SHOULDER, HEX SOC HD, SS
ITEM	QTY	DESCRIPTION
PARTS LIST		