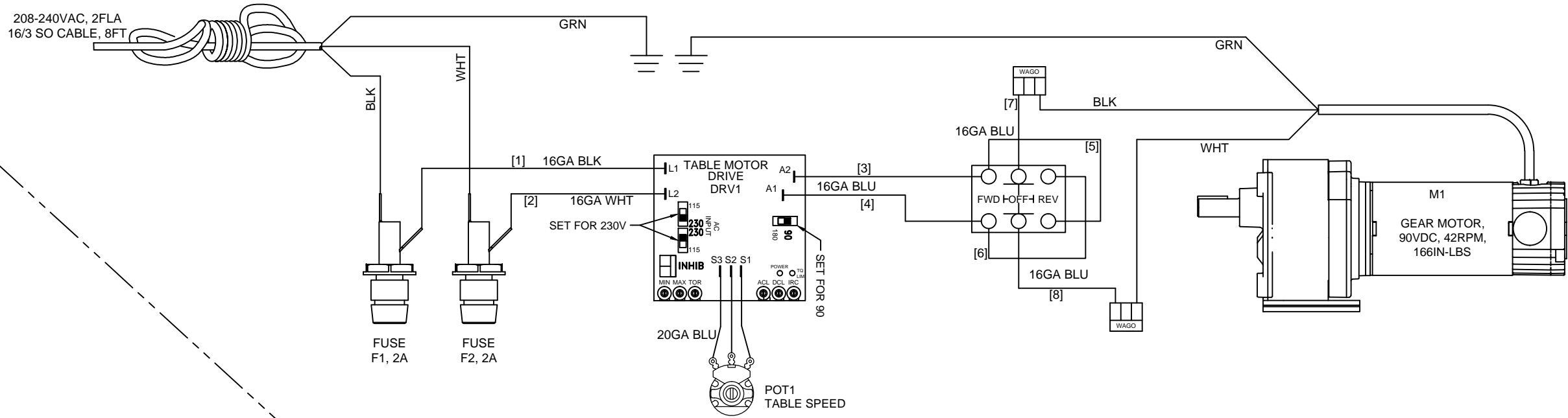
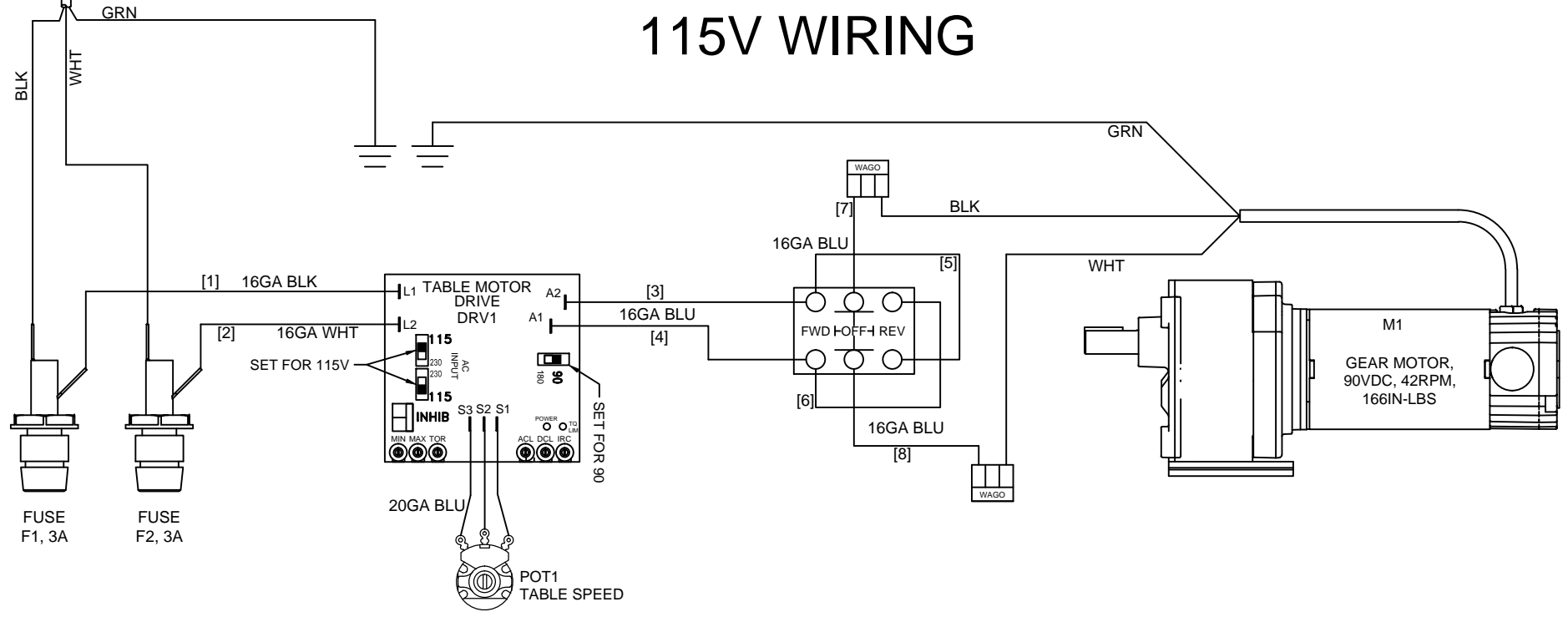


220V WIRING



115V WIRING



CONFIDENTIAL
THIS PRINT IS PROPERTY OF, AND DISCLOSES PROPRIETARY INFORMATION OF HEAT SEAL. IT IS LOANED FOR REFERENCE ONLY, AND MAY NOT BE REPRODUCED OR FORWARDED ELECTRONICALLY IN ANY MANNER, OR ITS CONTENTS DISCLOSED TO OTHERS, WITHOUT THE EXPLICIT WRITTEN PERMISSION OF OWNER AND MUST BE DESTROYED UPON REQUEST.

UNLESS OTHERWISE SPECIFIED:	CREATED: 9/9/2020
ALL DIMENSIONS IN INCHES	CREATED BY: MAbbott
STANDARD TOLERANCES:	CHECKED: 9/9/2020
0.00: ± .010	CHECKED BY: DLYONS
0.000: ± .005	
ANGLE: ± 1°	

HEAT SEAL/AMPAK CLEVELAND, OHIO 44125	
DESCRIPTION: WIRING DIAGRAM, ACCUMULATING PWR TBL	
DRAWING NUMBER: 6510-245	REVISION: 0
SIZE: D	SCALE: NONE
SHEET: 1	OF: 2