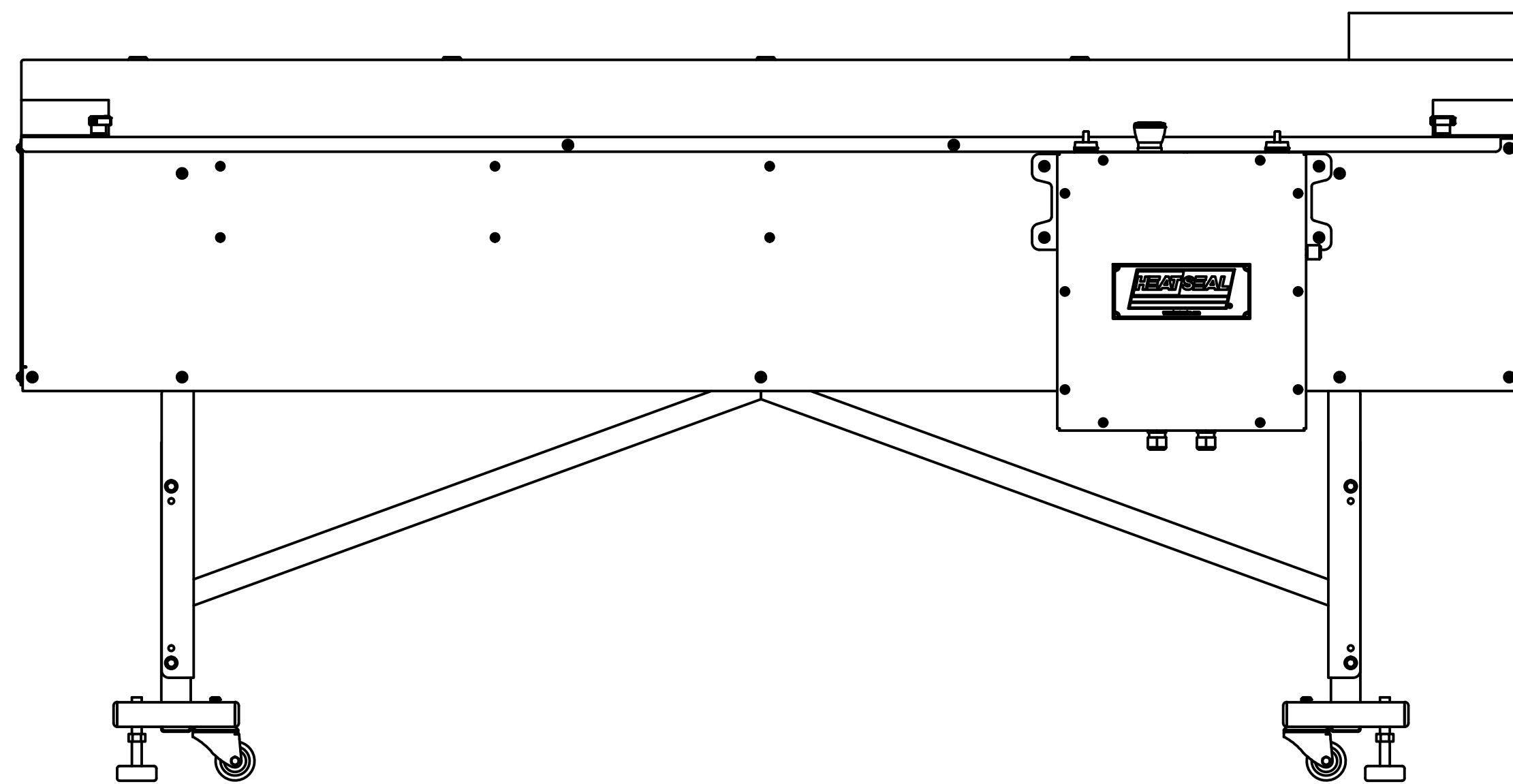
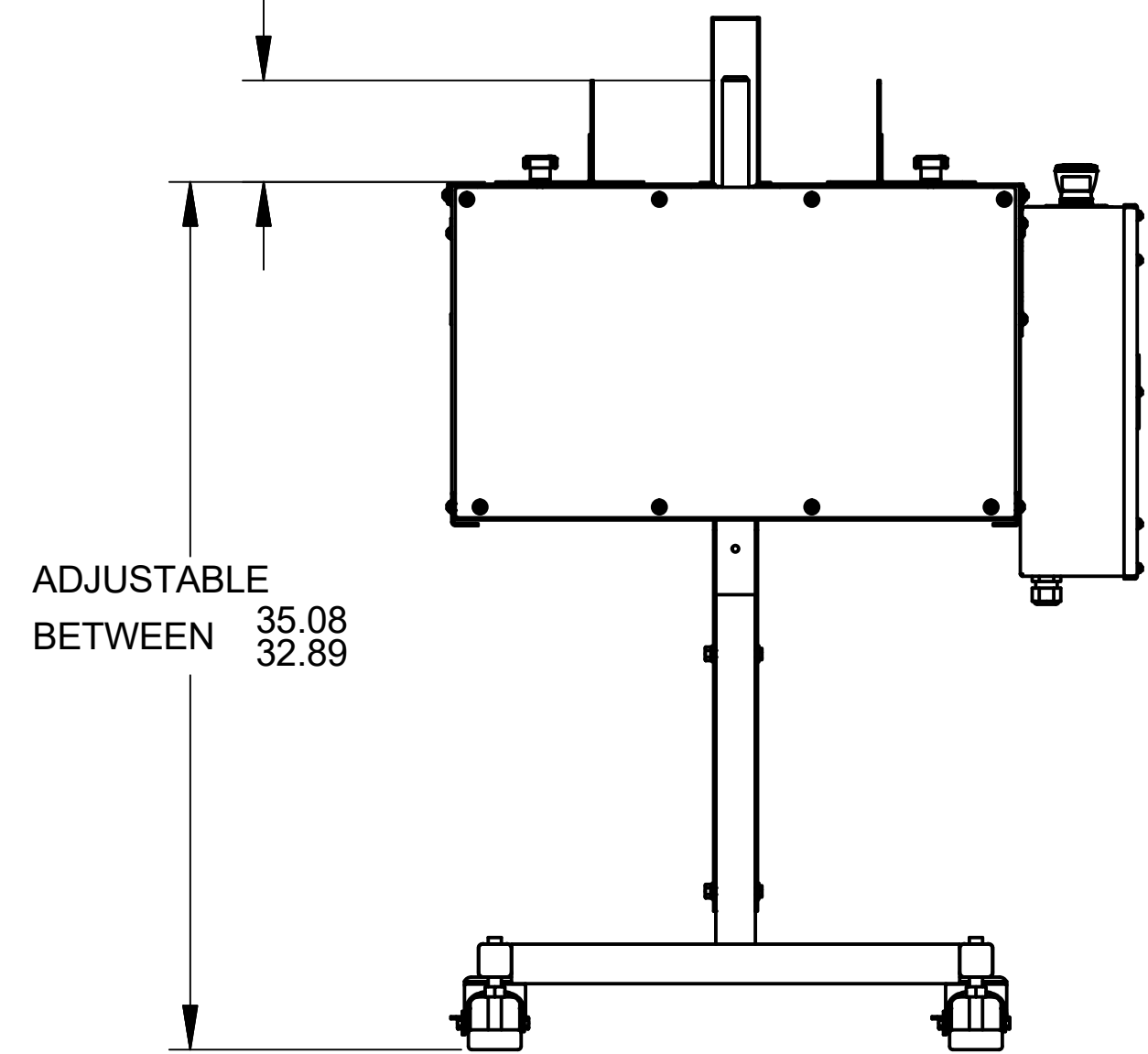


PRODUCT GUIDES / FLIGHTS  
AVAILABLE IN: 2, 4, 6 INCH TALL



FLIGHTED INFEED CONVEYOR

<p><b>CONFIDENTIAL</b> THIS PRINT IS PROPERTY OF, AND DISCLOSES PROPRIETARY INFORMATION OF HEAT SEAL. IT IS LOANED FOR REFERENCE ONLY, AND MAY NOT BE REPRODUCED OR FORWARDED ELECTRONICALLY IN ANY MANNER, OR ITS CONTENTS DISCLOSED TO OTHERS, WITHOUT THE EXPLICIT WRITTEN PERMISSION OF OWNER AND MUST BE DESTROYED UPON REQUEST.</p>	<p>UNLESS OTHERWISE SPECIFIED: ALL DIMENSIONS IN INCHES</p>	<p>CREATED: 1/23/2018 CREATED BY: roodhousej</p>	<p>DESCRIPTION: <b>FIC1772 CONFIGURATION DRAWING, SERIES B</b></p>		
	<p>STANDARD TOLERANCES: 0.00: ± .010 0.000: ± .005 ANGLE: ± 1'</p>	<p>CHECKED:</p>	<p>DRAWING NUMBER: <b>FIC1772-B</b></p>		<p>REVISION: <b>0</b></p>
	<p>CHECKED BY:</p>	<p>SIZE: D SCALE: NONE SHEET: OF: 1</p>			