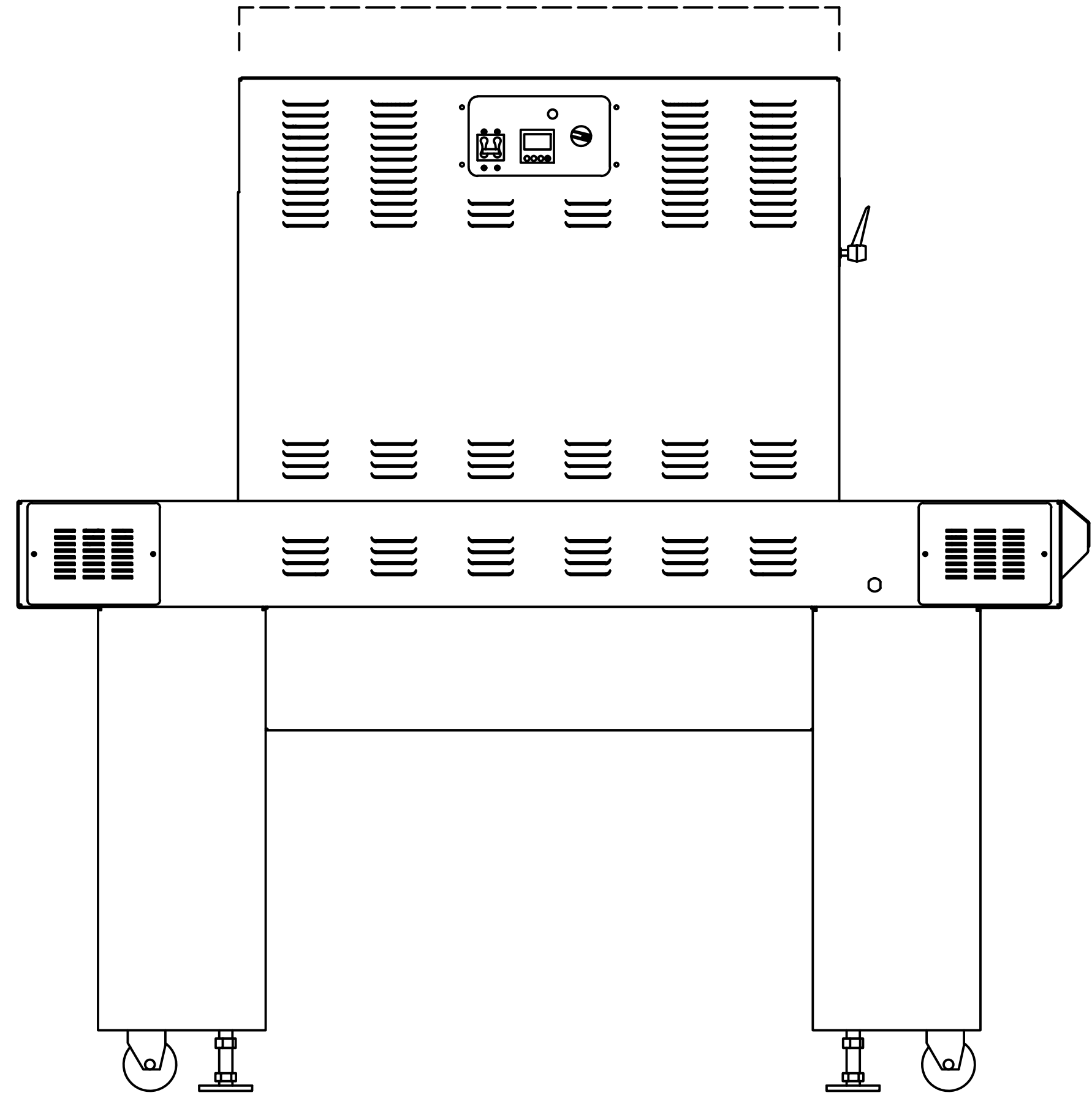
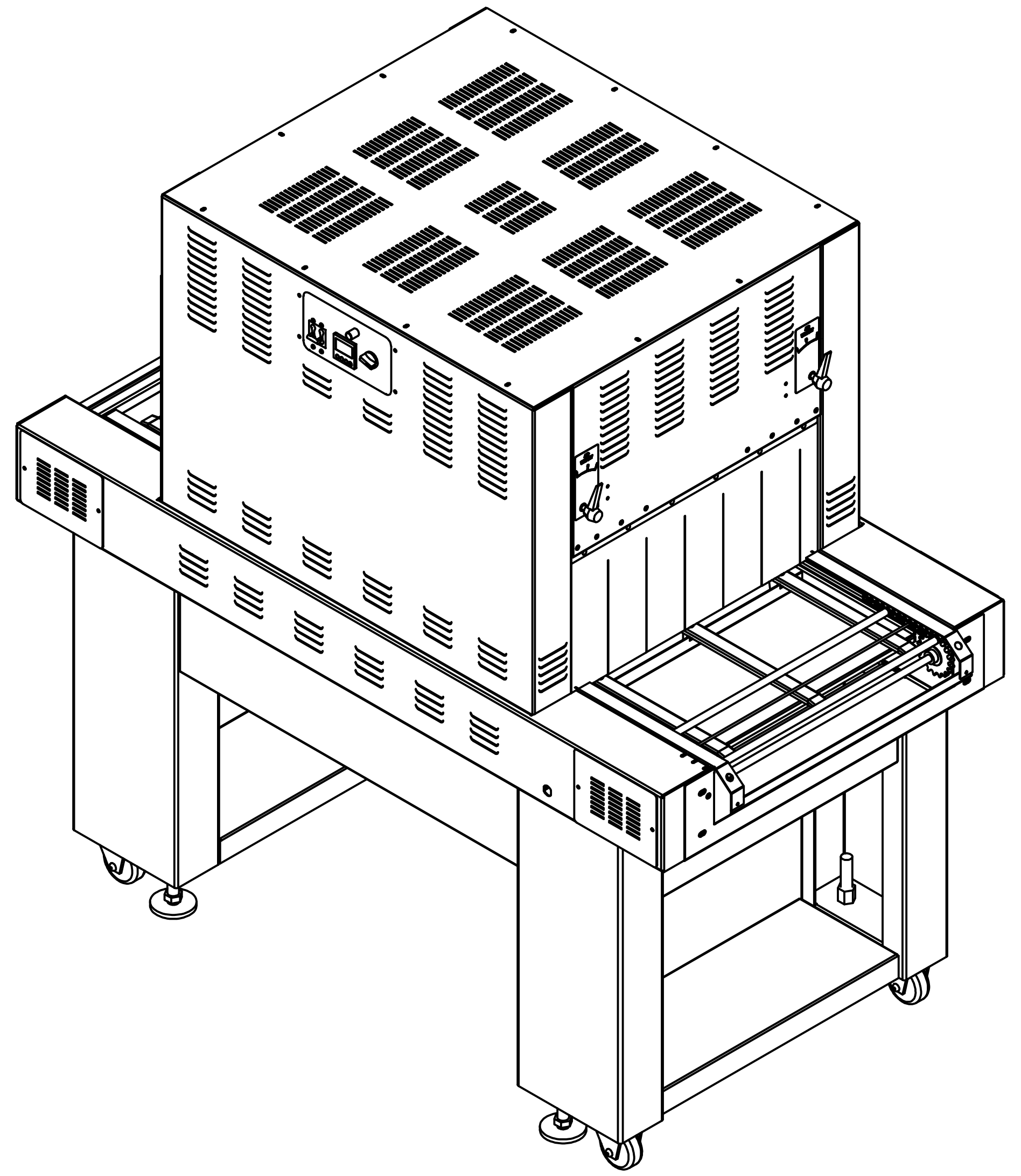
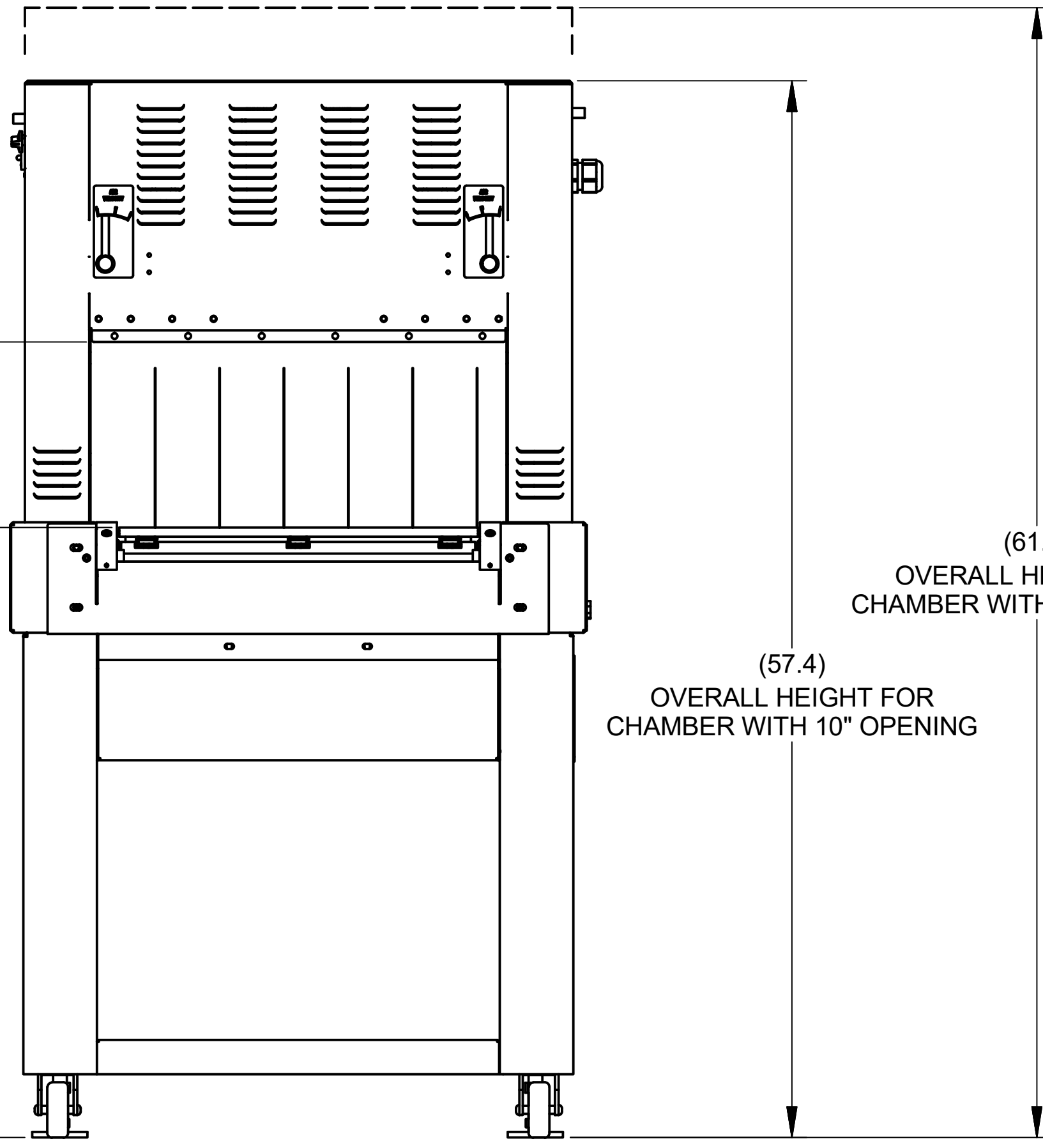


(19.5)  
ROLLER WIDTH  
LDR STYLE  
CONVEYOR



CHAMBER OPENING  
STANDARD: 10"  
OPTIONAL: 14"

(33.2)  
CONVEYOR HEIGHT  
ON CASTERS



(57.4)  
OVERALL HEIGHT FOR  
CHAMBER WITH 10" OPENING

(61.4)  
OVERALL HEIGHT FOR  
CHAMBER WITH 14" OPENING

**HEAT SEAL/AMPAK**  
CLEVELAND, OHIO 44125

**CONFIDENTIAL**  
THIS PRINT IS PROPERTY OF, AND  
DISCLOSES PROPRIETARY  
INFORMATION OF HEAT SEAL. IT IS  
LOANED FOR REFERENCE ONLY, AND  
MAY NOT BE REPRODUCED OR  
FORWARDED ELECTRONICALLY IN  
ANY MANNER, OR ITS CONTENTS  
DISCLOSED TO OTHERS, WITHOUT  
THE EXPLICIT WRITTEN PERMISSION  
OF OWNER AND MUST BE DESTROYED  
UPON REQUEST.

UNLESS OTHERWISE SPECIFIED:	CREATED: 9/22/2023
ALL DIMENSIONS IN INCHES	CREATED BY: roodhousej
STANDARD TOLERANCES:	CHECKED:
0.00: ± .010	CHECKED BY:
0.000: ± .005	
ANGLE: ± 1'	

DESCRIPTION: <b>SHRINK TUNNEL, T-3422</b>	
DRAWING NUMBER:	REVISION: <b>0</b>
SIZE: D	SCALE: NONE
SHEET: 1	OF: 1