

PRODUCT OVERVIEW

The Energy Smart 750ES is an innovative heat-sealing unit engineered for high-performance packaging with an emphasis on energy efficiency, sanitation, and ease of maintenance.

KEY FEATURES

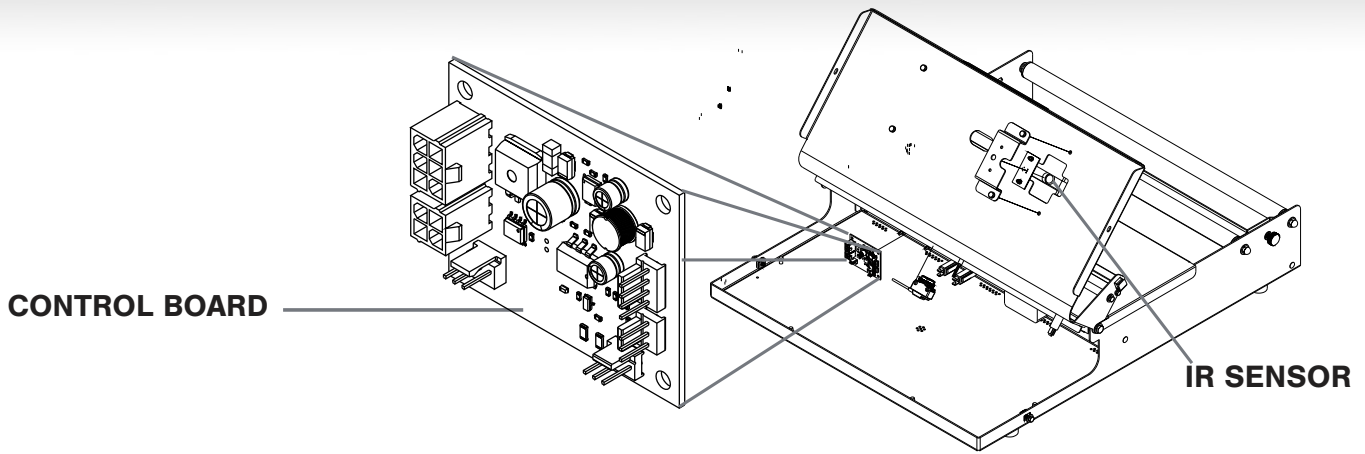
- Smart Diagnostic System:**
 Built-in troubleshooting intelligence identifies part failures with blinking LED indicators and simplifies repairs with plug connectors.
- Precision Sealing**
 Maintains a consistent 425°F sealing temperature for improved tamper evidence and compatibility with a wide range of tray types.
- Energy Efficiency:**
 Energy Smart® microprocessor reduces power consumption by up to 80%.
- Enhanced Sanitation Design:**
 Redesigned seal plate and chassis deliver increased moisture and water resistance for daily cleaning compliance.
- Universal Tray Detection:**
 Photo eye sensor reliably detects all tray colors to initiate heating.
- Quick Film Changeover:**
 Saves Labor and Simplifies operations with no assembly required.
- Potential Rebates:**
 May qualify for local utility energy-efficiency rebates.



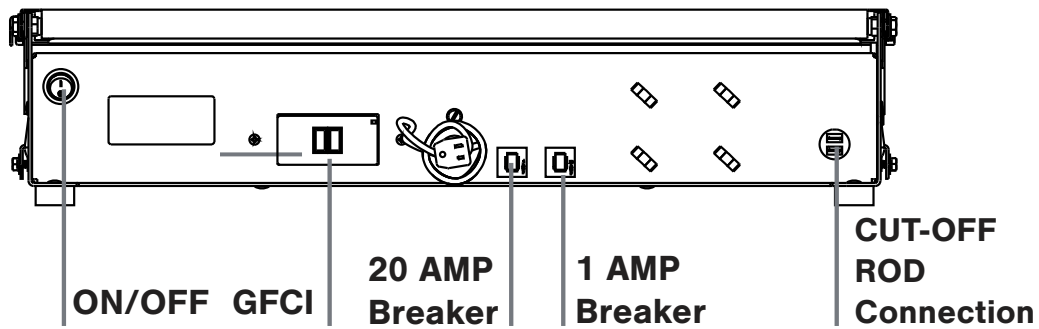
MODEL SPECS

MODEL	750ES	
FILM MOUNT	Cradle System	
FILM CAPACITY	20"	
SEAL PLATE	6" x 15"	
OVERALL DIMENSIONS	26.75" D, 23.25" W, 5" H	
ELECTRICAL SPECIFICATIONS		120 Volt, 60Hz, 162 Watts
SEAL PLATE TEMPERATURE	Maximum Temperature 425°F	
WEIGHT	28 lbs. (13kg)	
OTHER FEATURES	No Assembly Required, Quick Film Changeover	





BACK ELECTRICAL PANEL



FILM CUT-OFF ROD

PHOTO EYE

HEAT CYCLE INDICATOR

- Amber:** Heating
- Red:** Reached 425° F; Sealing
- Green:** Holding 425° F; Extra Sealing Time
- Blinking Red:** 2x - Failed IR Sensor
3x - Failed Seal Plate

